

LEFT ELEVATION, BED ROOM

FRONT ELEVATION

RIGHT ELEVATION, LIVING ROOM

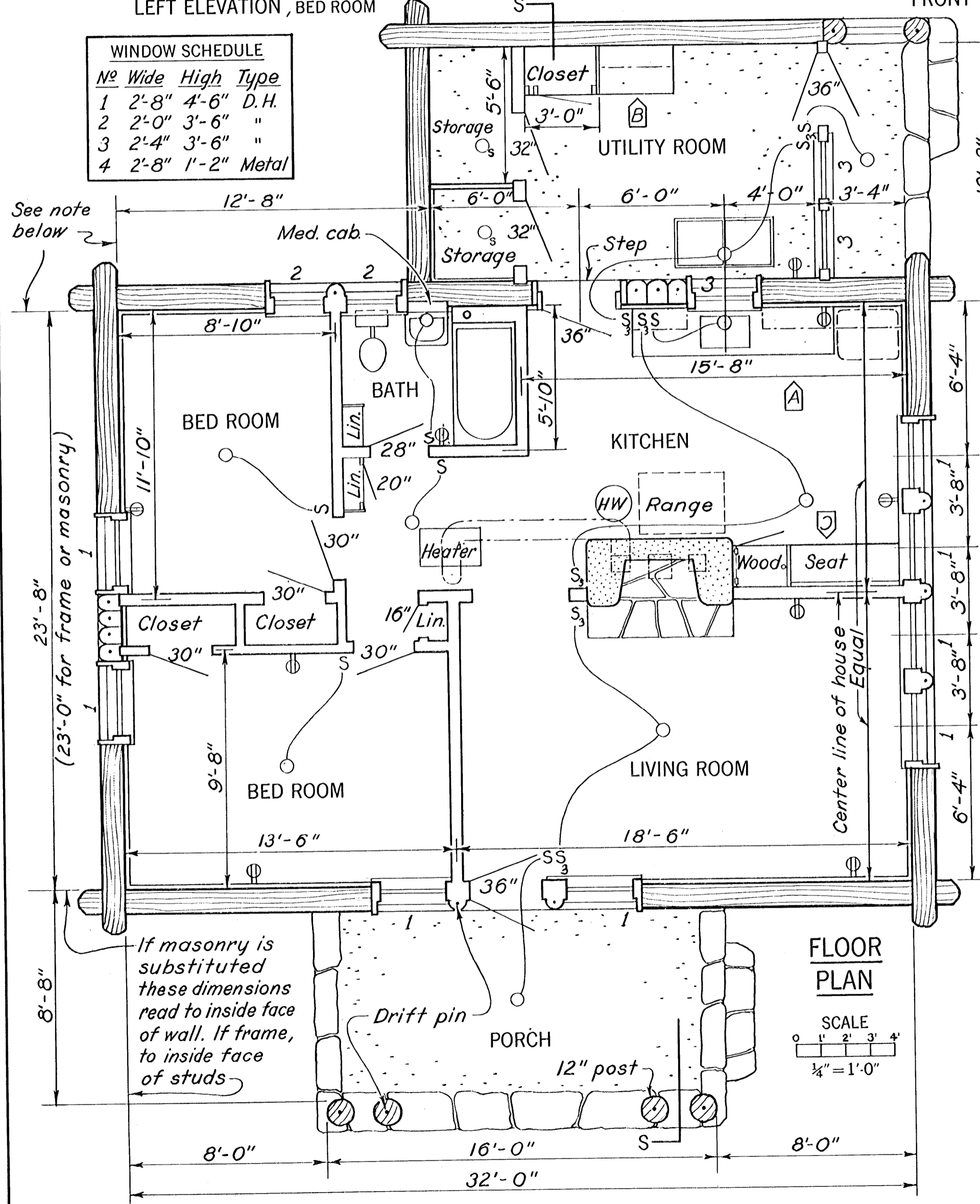
SCALE 0 4 8 1/8" = 1'-0"

WINDOW SCHEDULE

No	Wide	High	Type
1	2'-8"	4'-6"	D.H.
2	2'-0"	3'-6"	"
3	2'-4"	3'-6"	"
4	2'-8"	1'-2"	Metal

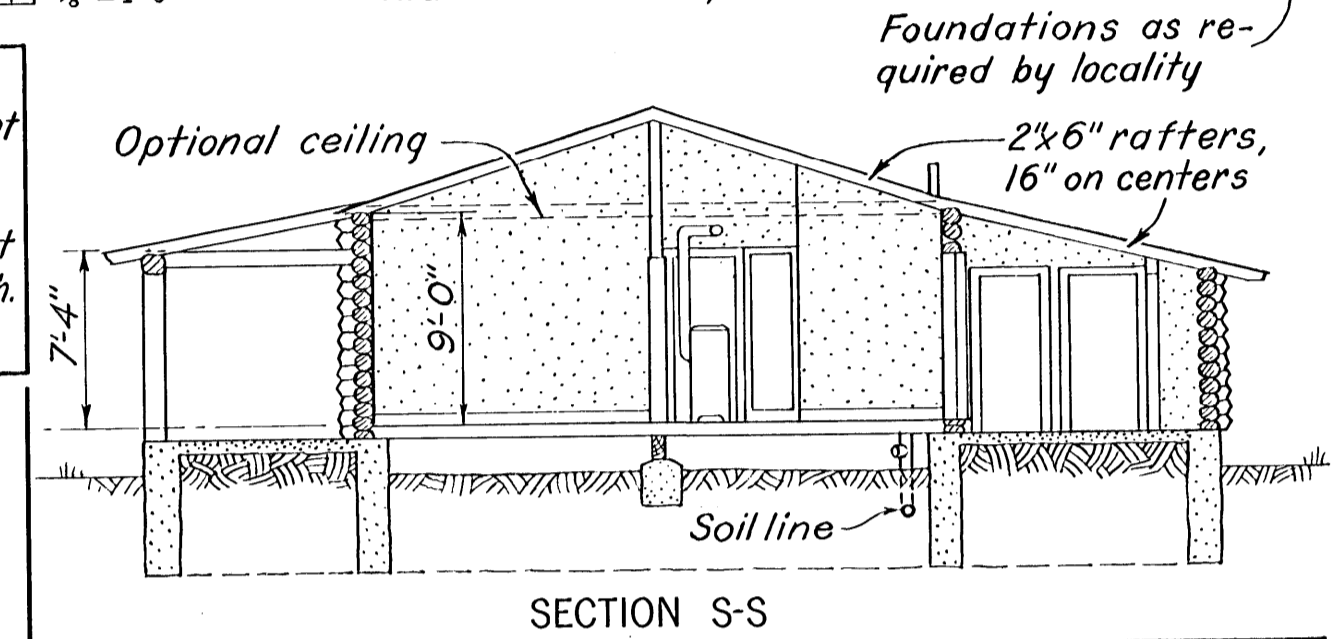
PLUMBING FIXTURE SCHEDULE

Lav.	22x18" Mixing single faucet
Tub	30x60" Exposed shower
W.C.	29" Low tank
Sink	18x24" Mixing swing faucet
L.Trays	24x48" Shut-off cocks in kitch.
Med. Cab.	18x24"



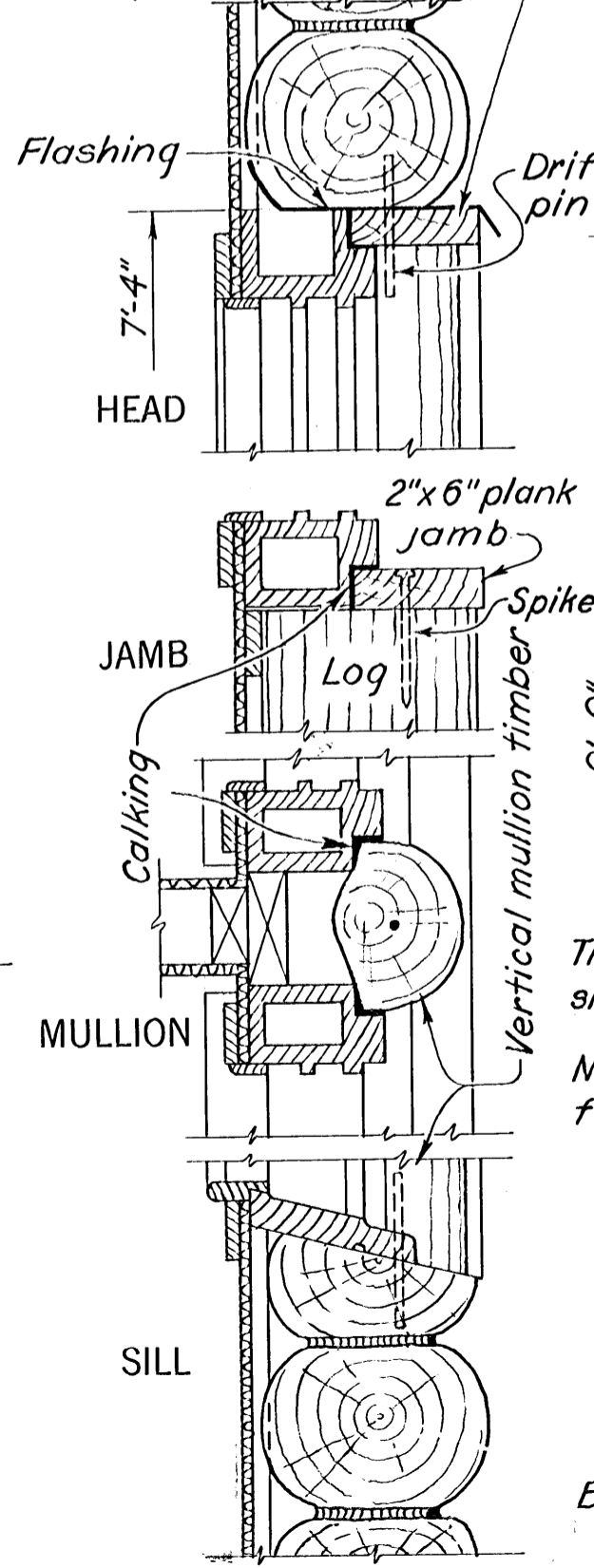
FLOOR PLAN

SCALE 0 1 2 3 4 1/4" = 1'-0"



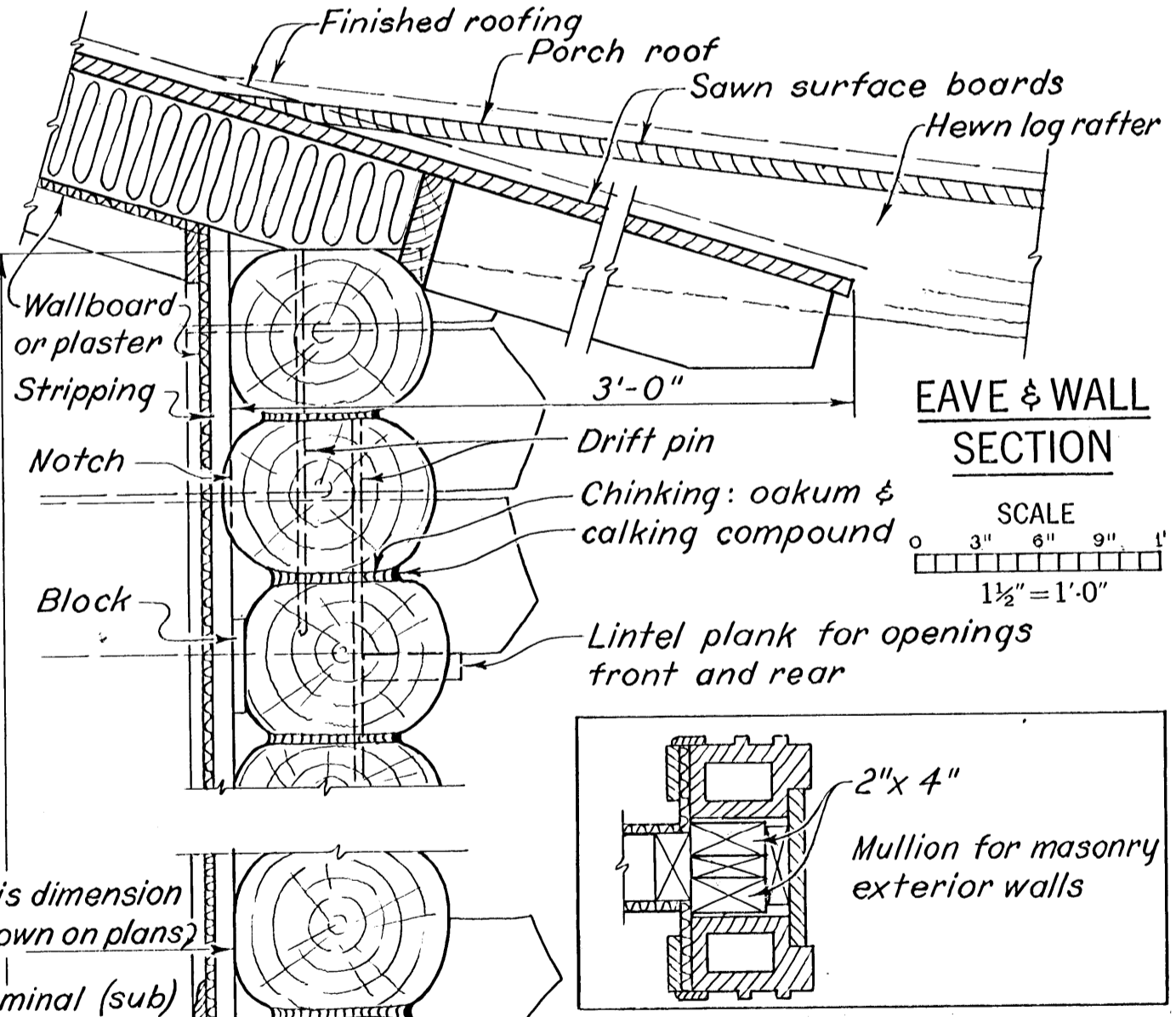
SECTION S-S

2"x6" plank lintel over all openings, continuous over group of openings



WINDOW SECTIONS

(Standard masonry frames shown)



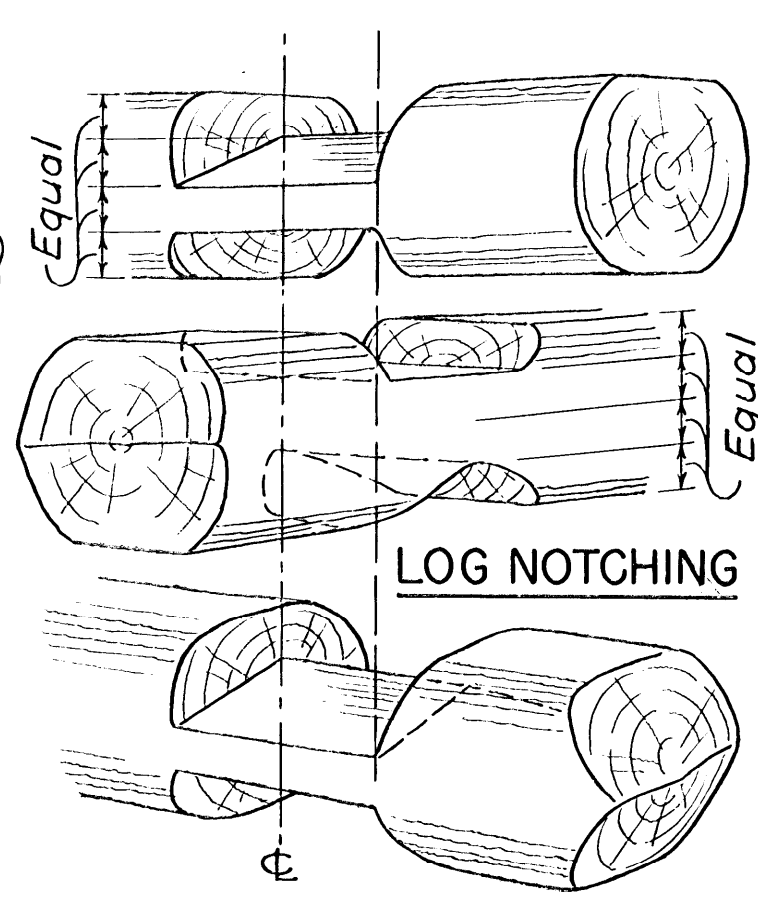
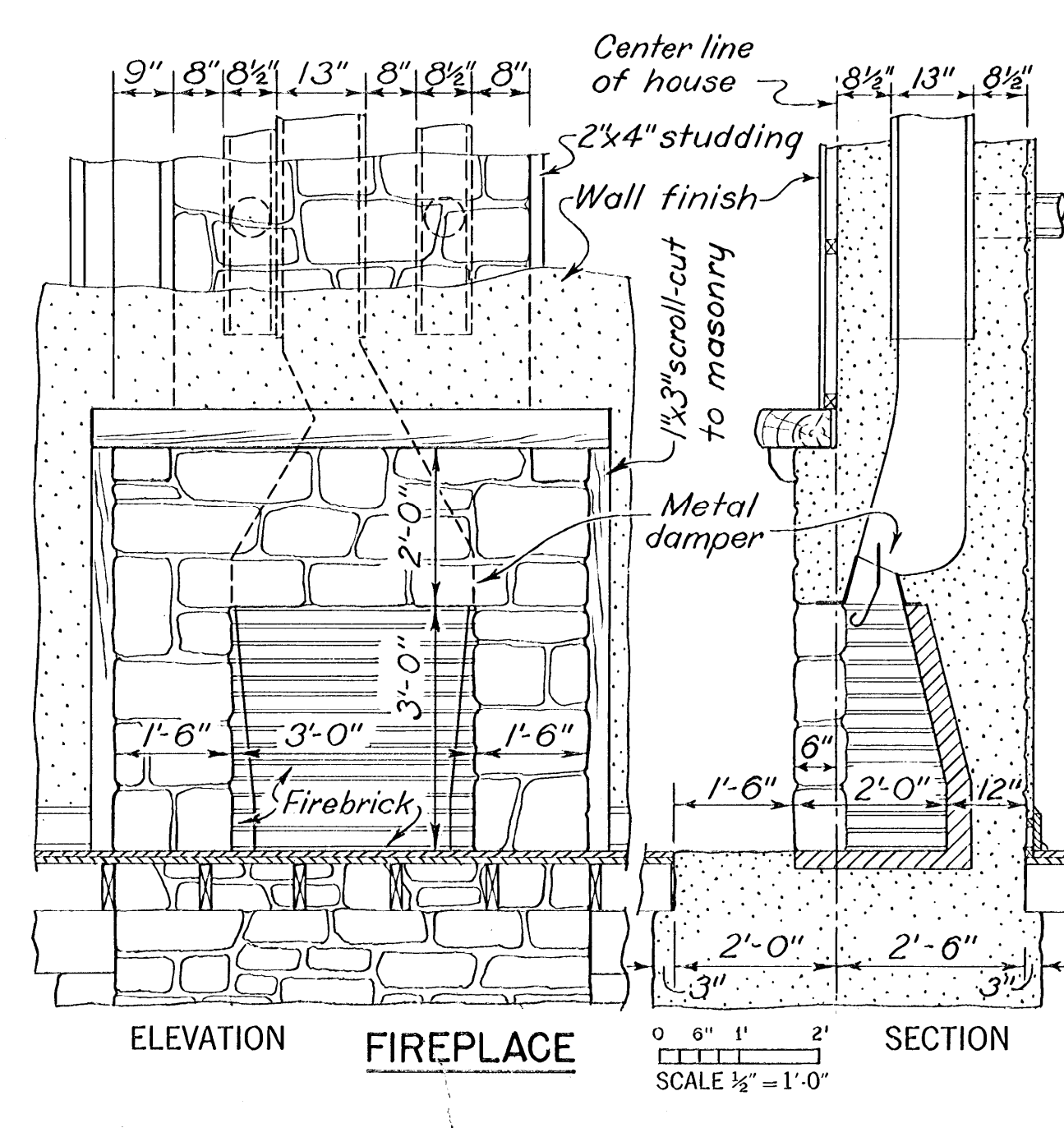
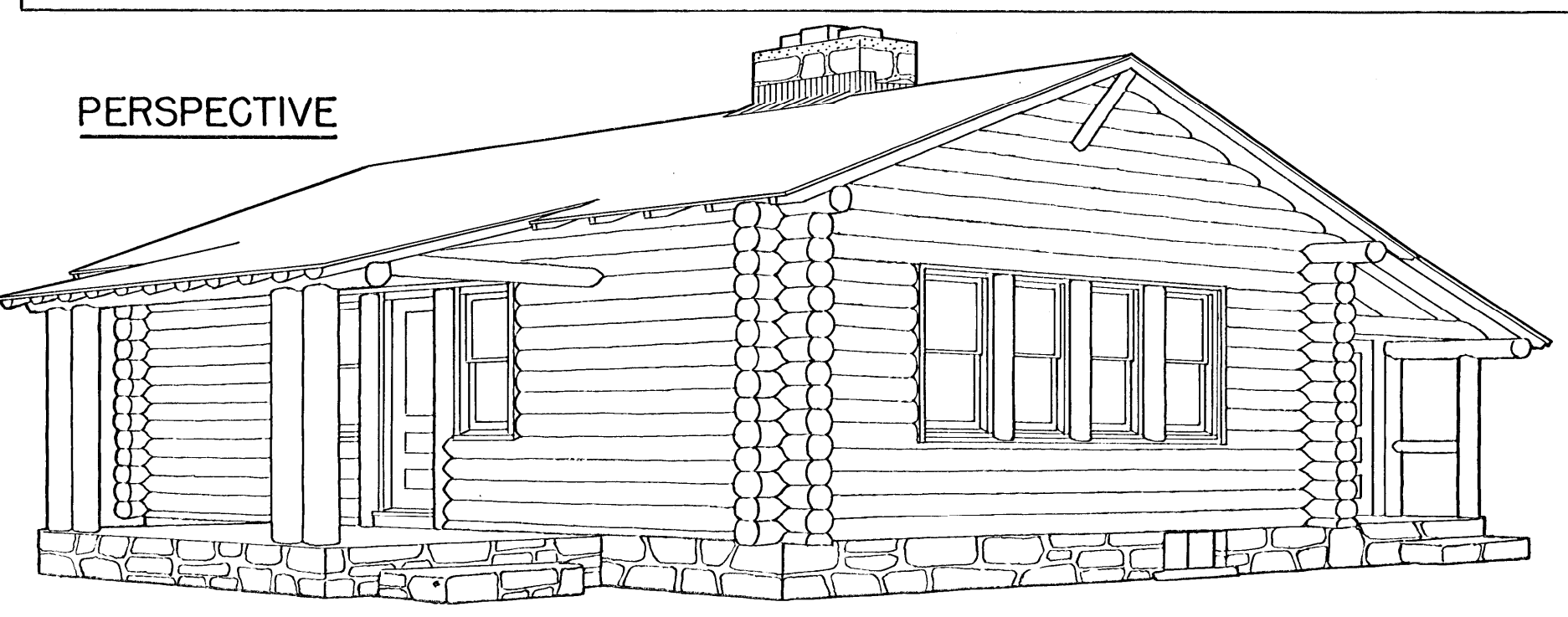
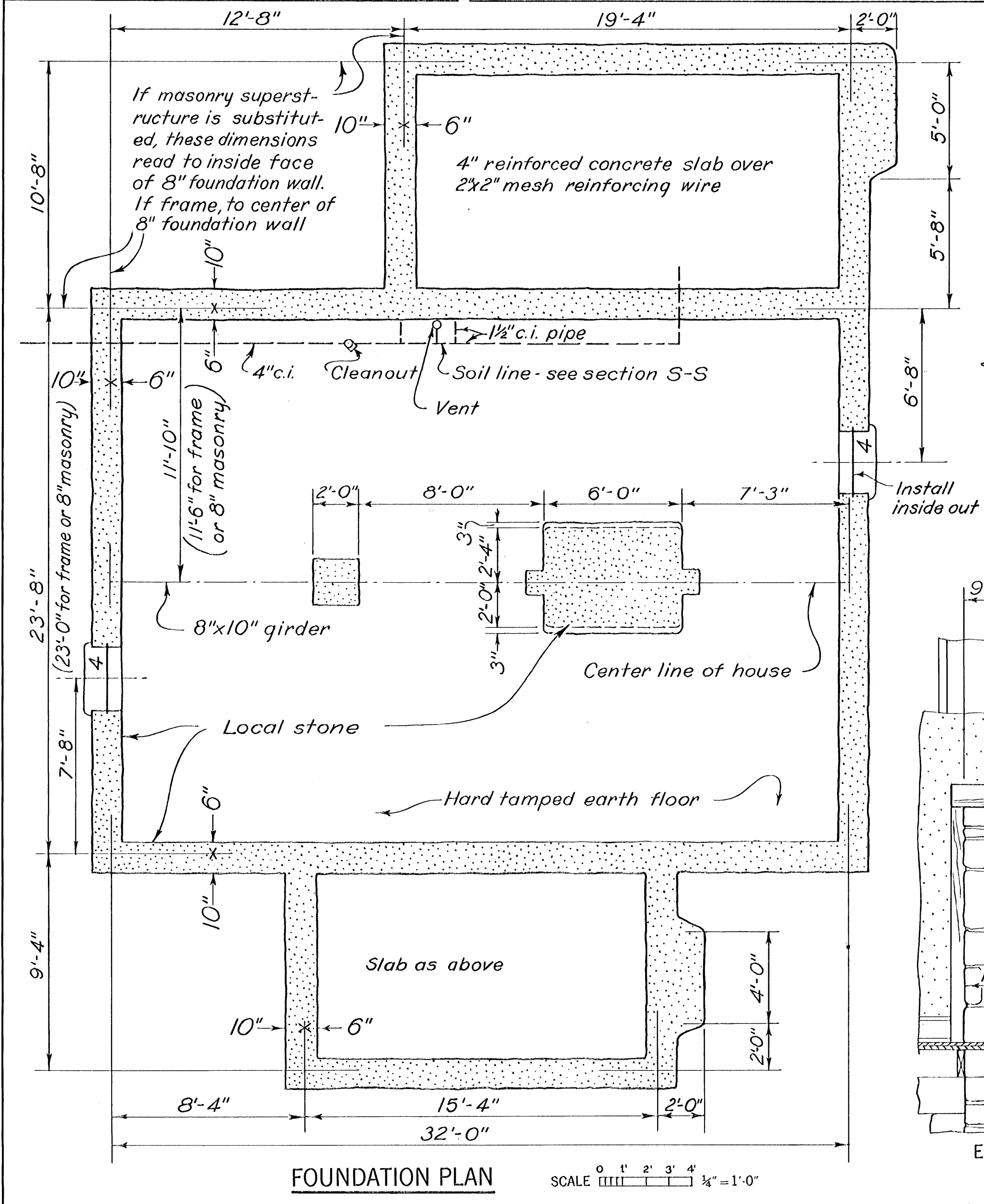
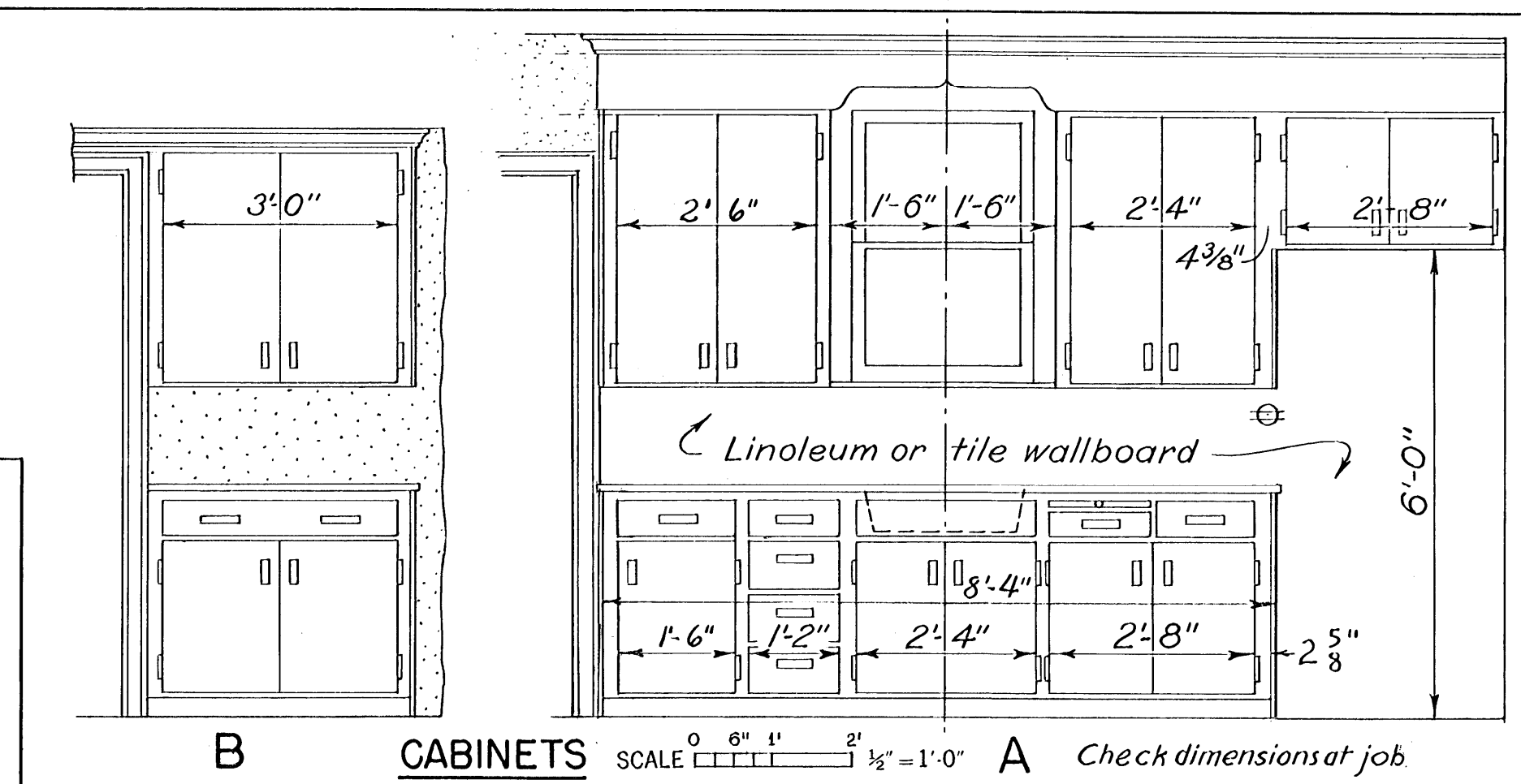
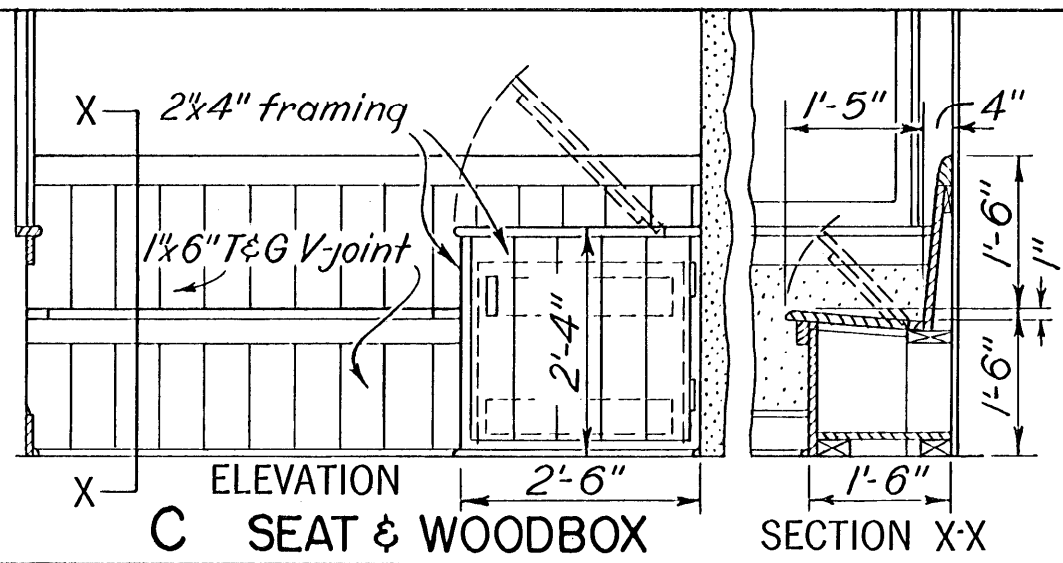
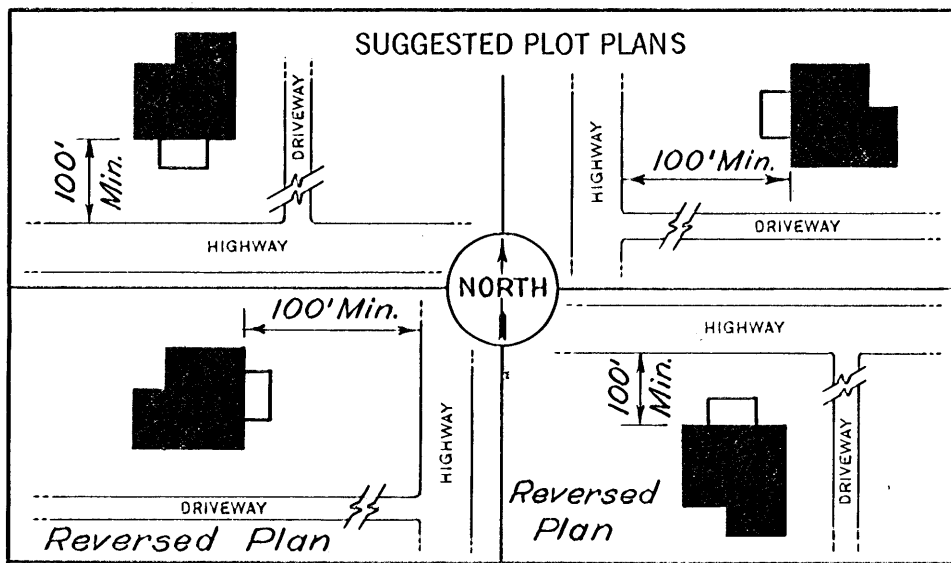
EAVE & WALL SECTION

SCALE 0 3 6 9 1 1/2" = 1'-0"

COOPERATIVE EXTENSION WORK IN AGRICULTURE AND HOME ECONOMICS
STATE OF MISSISSIPPI
MISSISSIPPI STATE UNIVERSITY
AND
UNITED STATES DEPARTMENT OF AGRICULTURE COOPERATING

2 BEDROOM LOG CABIN

USDA EX. 7013 SHEET 1 OF 2



COOPERATIVE EXTENSION WORK IN AGRICULTURE AND HOME ECONOMICS
 STATE OF MISSISSIPPI
 MISSISSIPPI STATE UNIVERSITY
 AND
 UNITED STATES DEPARTMENT OF AGRICULTURE COOPERATING

2 BEDROOM LOG CABIN

USDA EX. 7013 SHEET 2 OF 2