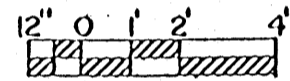
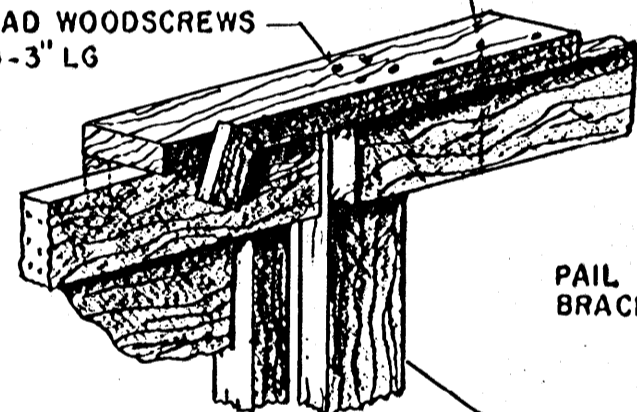


PLAN



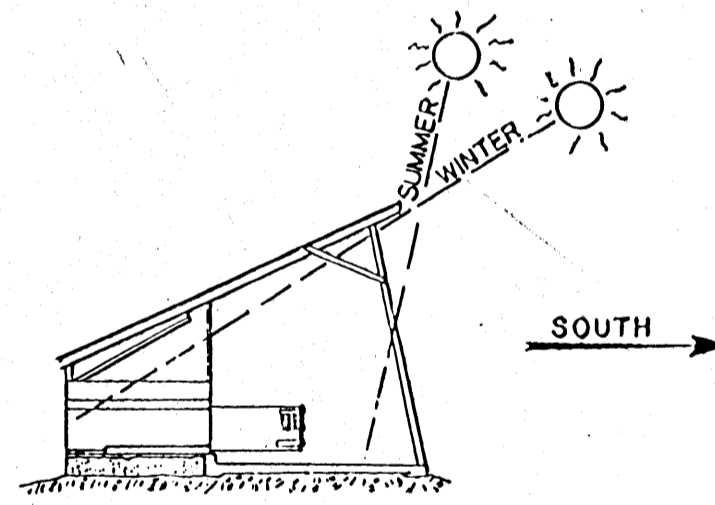
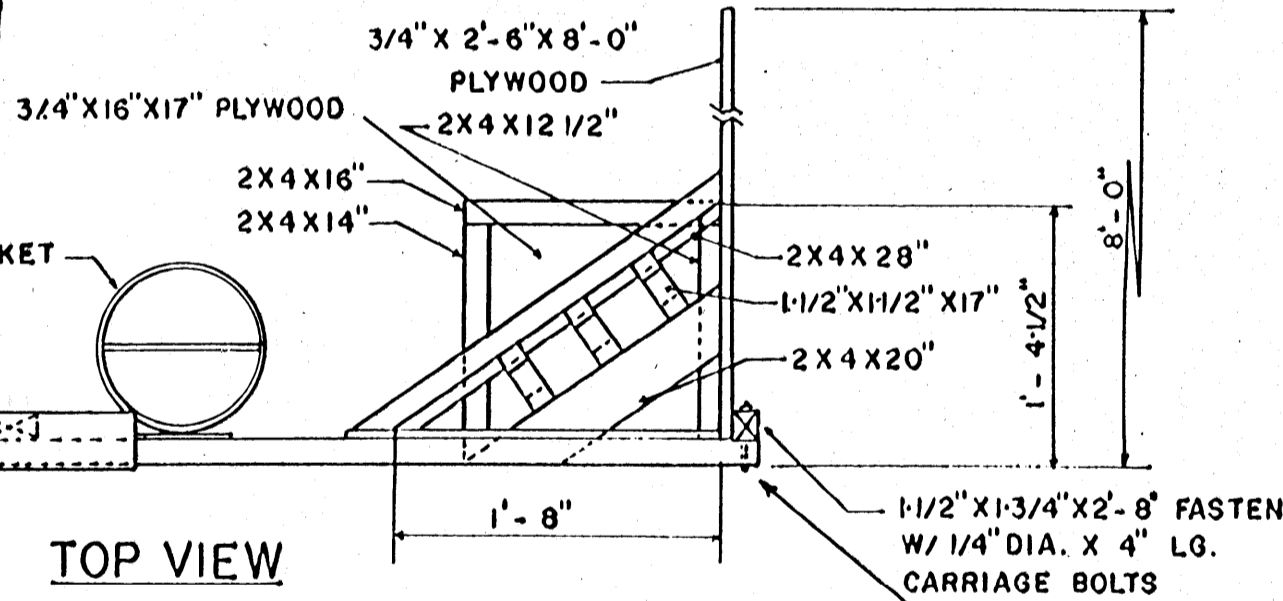
SCALE 1/4" = 1'-0"

10d NAILS DRILL TOP MEMBER
(STAGGER NAILS)
ROUND HEAD WOODSCREWS
14-3" LG



LATCH - 3/4" X 1" X 3"
FASTEN W/ # 14-3" LG
ROUND HEAD WOODSCREW
W/ WASHER

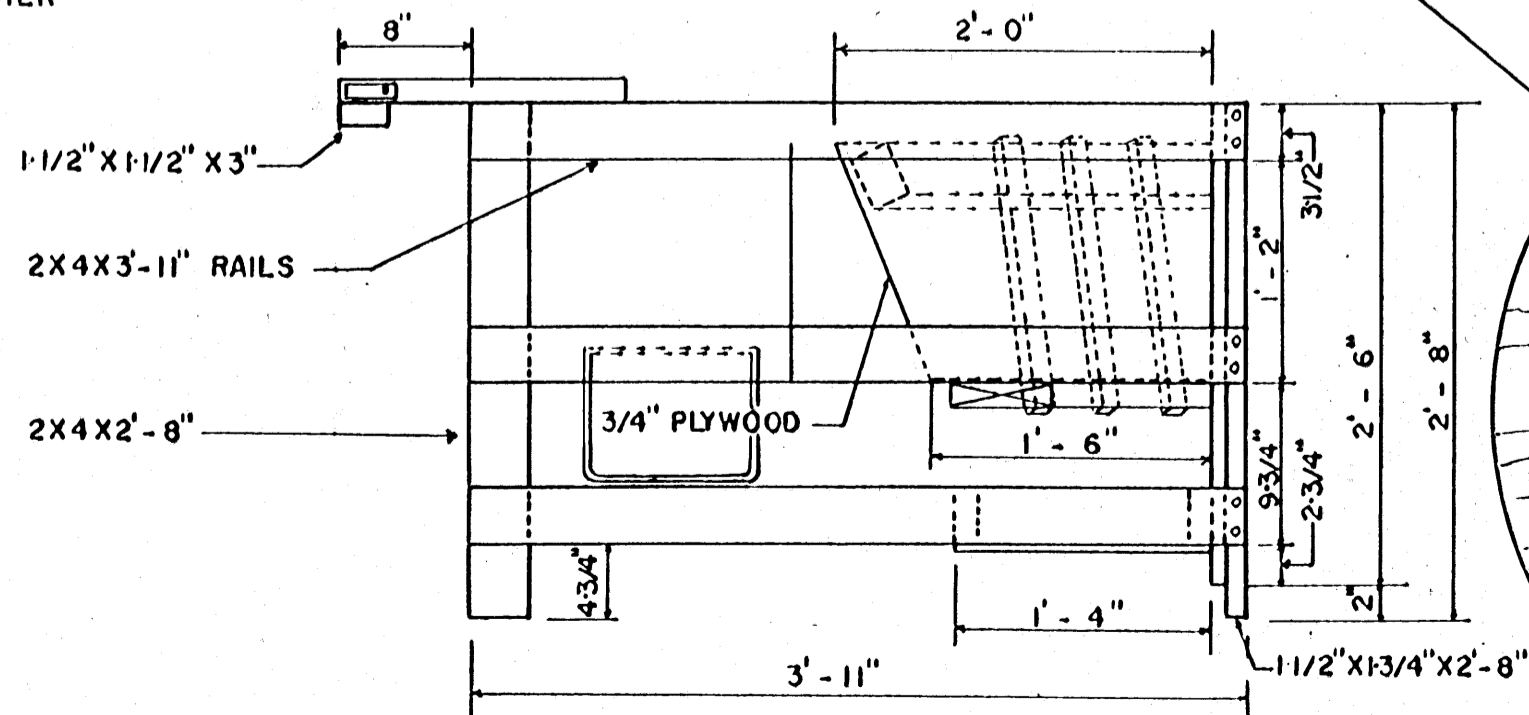
TOP VIEW



APPROXIMATE SUN ANGLES

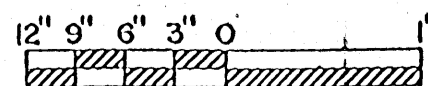
NOTES:

1. CALF PEN PARTITIONS ARE TELESCOPED INWARD FOR TRACTOR CLEANING. MANURE FROM RAISED PORTION OF PENS IS SCRAPED ONTO LOWER LEVEL AS NEEDED. TELESCOPING ARRANGEMENT IS ALSO USED FOR PUTTING CALVES IN PENS.
2. POLE IS ANGLED OUTWARD AT BASE TO IMPROVE CLEARANCE WHEN USING TRACTOR FOR CLEANING.
3. FRONT EDGE OF ROOF LOCATED SUFFICIENTLY FORWARD OF REAR OF PENS AND AT A HEIGHT TO PERMIT NOON SOLAR PENETRATION TO BACK EDGE OF PENS FOR 2 WINTER MONTHS AT 36° N. LATITUDE AND FOR 4 WINTER MONTHS AT 44° N. LATITUDE. PENETRATION WILL BE GREATER AT OTHER TIMES THAT SUN IS SHINING. CALVES, WHEN IN EXTENDED PORTION OF PEN, WILL BE FULLY SHADED AT NOON FOR 2 SUMMER MONTHS AT 44° N. LATITUDE AND 4 SUMMER MONTHS AT 36° N. LATITUDE. SINCE THE CALVES DO NOT NEED TO STAND FULLY AT THE FRONT OF THE PENS, PARTITIONS OFFER SOME SHADE NEAR DAWN OR DUSK, AND THEIR BODIES ARE USUALLY ABOVE FLOOR HEIGHTS, THEY WILL HAVE ADEQUATE SHADE FOR THE ENTIRE SUMMER EVEN AT 48° N. LATITUDE. RAISING THE HEIGHT OF THE FRONT EDGE OF THE ROOF WILL INCREASE THE AREA THAT RECEIVES SOLAR ENERGY.
4. STRUCTURE DESIGNED FOR A 30 LB/SQ FT ROOF LOAD.

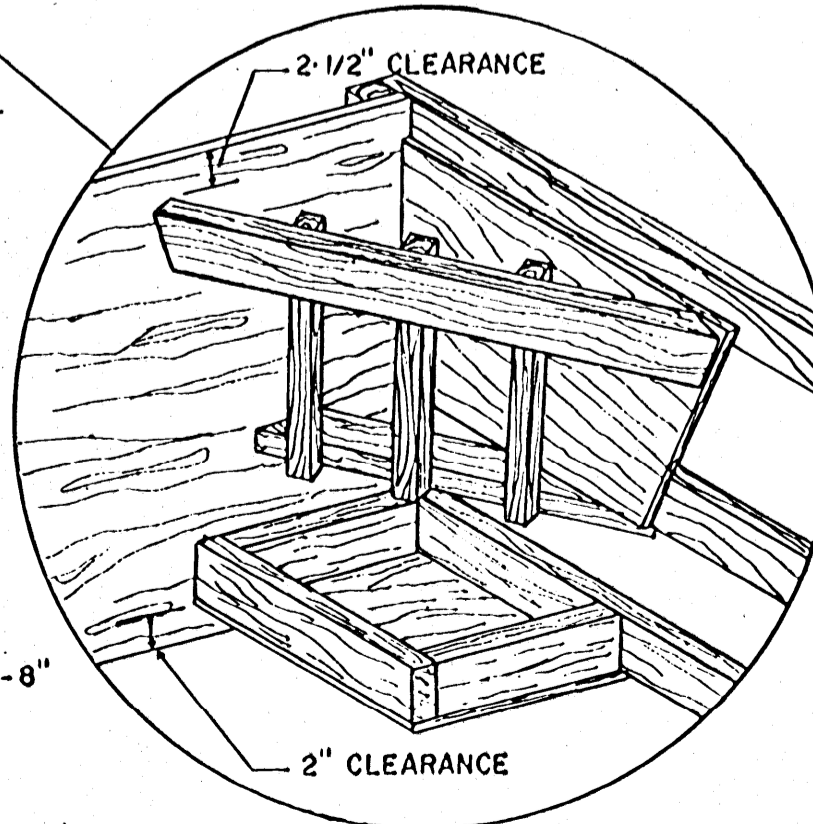


FRONT VIEW

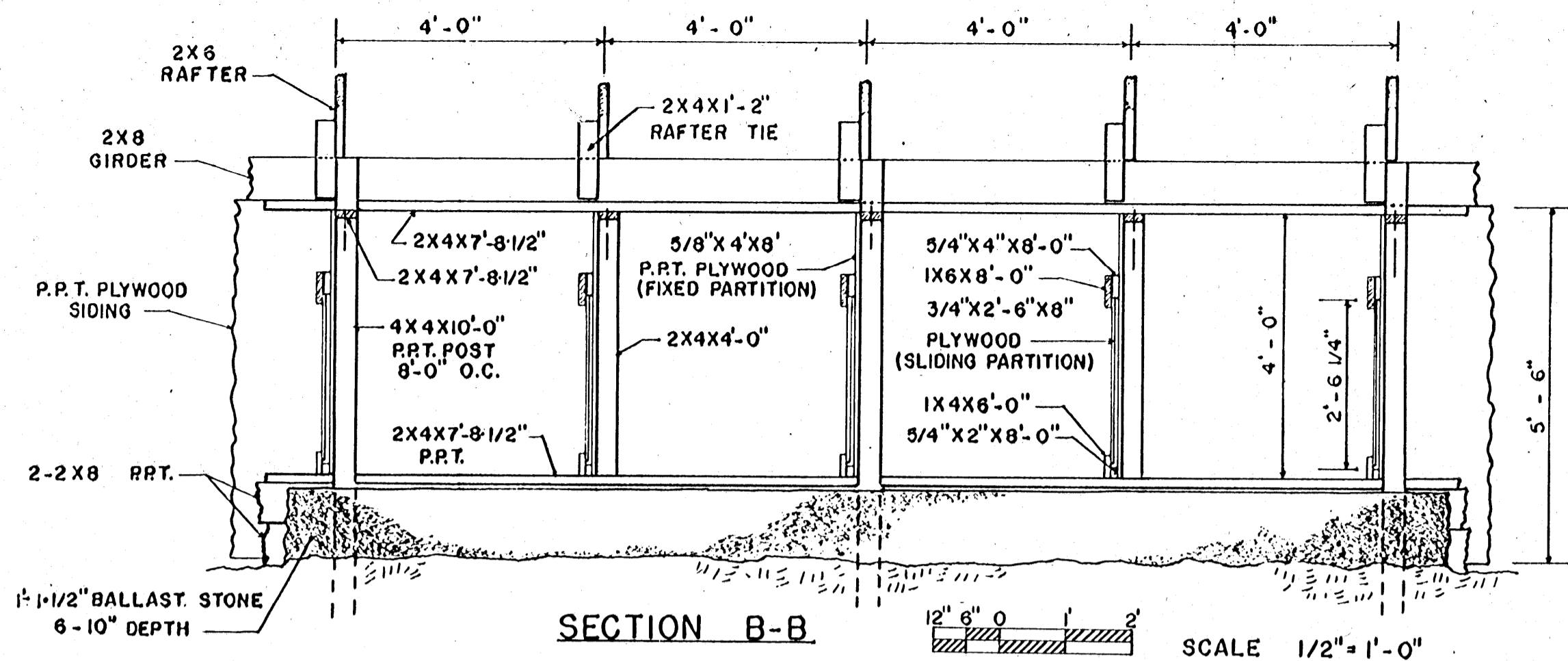
SLIDING PARTITION DETAILS



SCALE 1" = 1'-0"



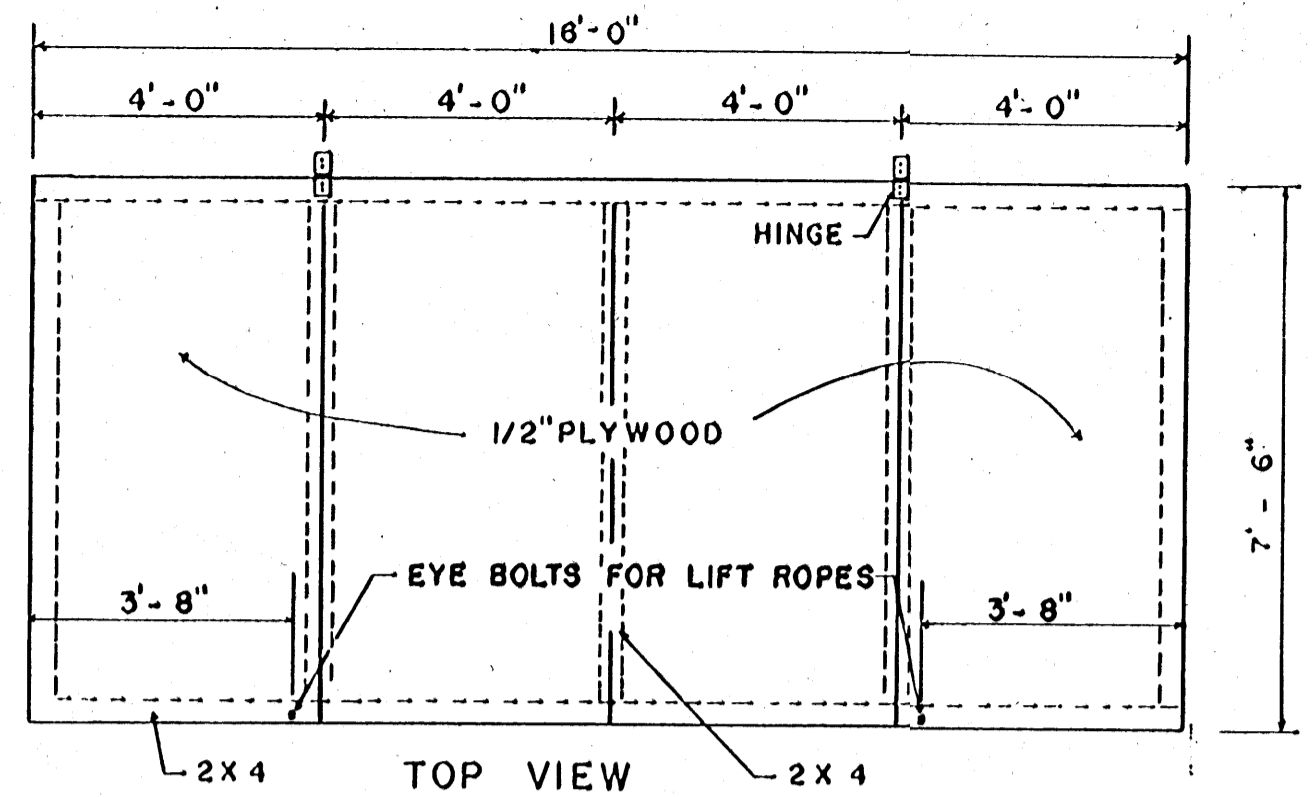
COOPERATIVE EXTENSION SERVICE AGRICULTURE AND HOME ECONOMICS STATE OF MISSISSIPPI		
MISSISSIPPI STATE UNIVERSITY AND UNITED STATES DEPARTMENT OF AGRICULTURE COOPERATING		
SOLAR CALF SHELTER WITH SLIDE-IN PARTITION		
W VA 86	6377	SHEET 1 OF 2



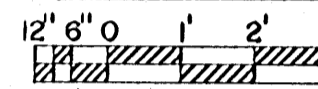
SECTION B-B

SCALE 1/2" = 1'-0"

NOTE : HAY STORAGE PLATFORM NOT SHOWN FOR CLARITY



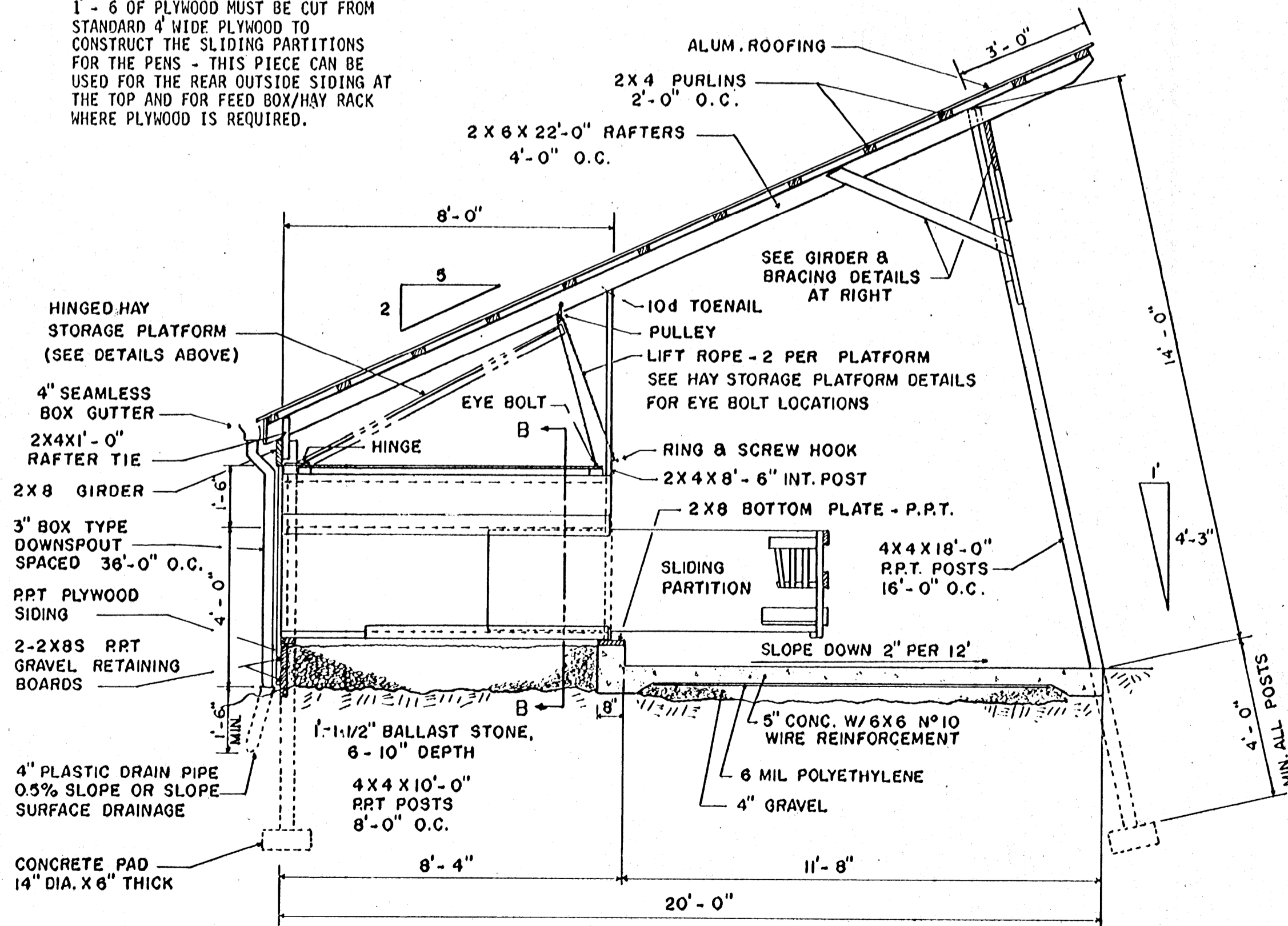
HAY STORAGE PLATFORM



SCALE 3/8" = 1'-0"

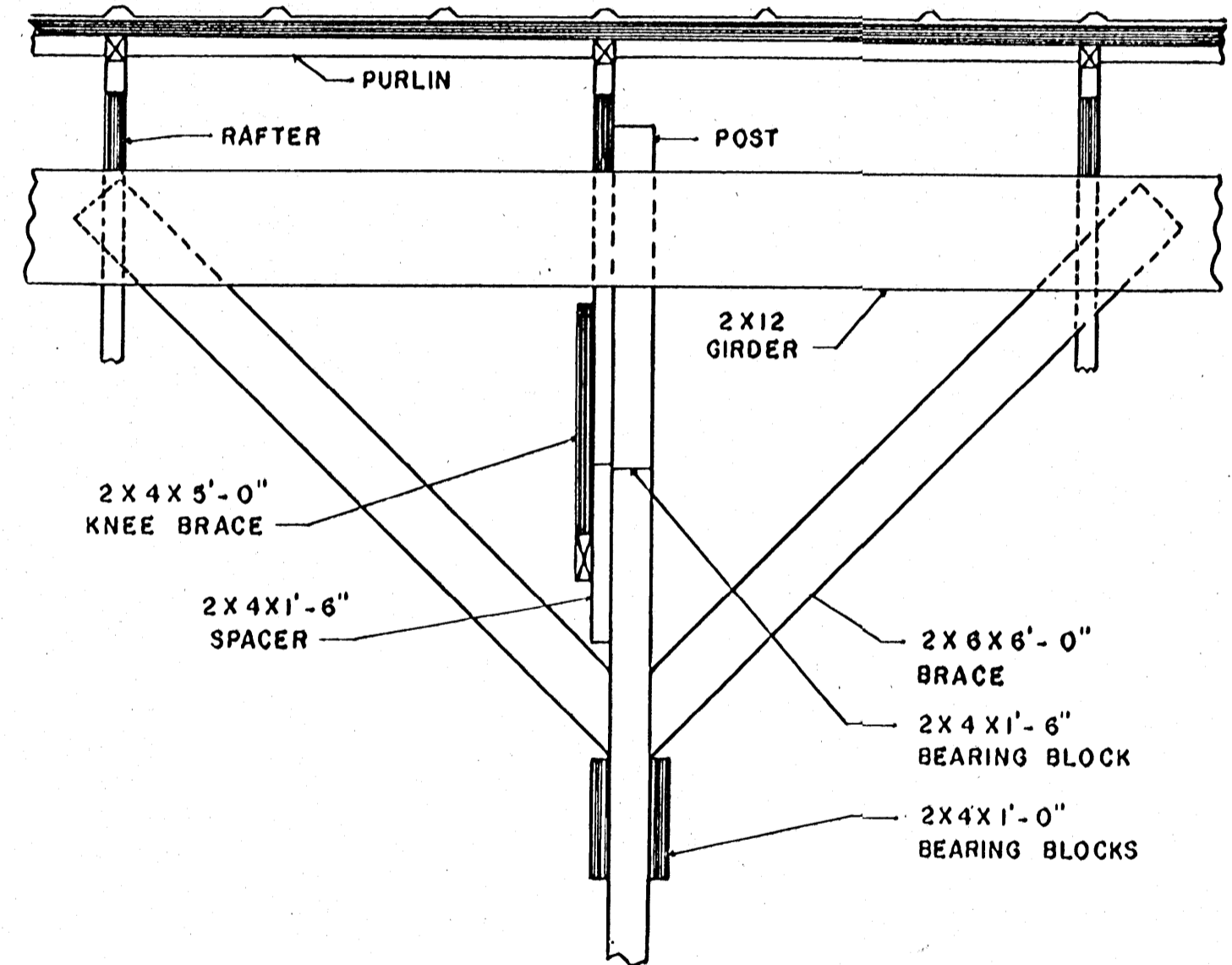
NOTE :

1' - 6" OF PLYWOOD MUST BE CUT FROM STANDARD 4' WIDE PLYWOOD TO CONSTRUCT THE SLIDING PARTITIONS FOR THE PENS - THIS PIECE CAN BE USED FOR THE REAR OUTSIDE SIDING AT THE TOP AND FOR FEED BOX/HAY RACK WHERE PLYWOOD IS REQUIRED.

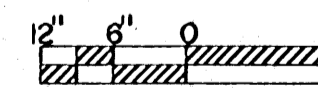


SECTION A-A

SCALE 3/8" = 1'-0"



GIRDER & BRACING DETAILS



SCALE 3/4" = 1'-0"

COOPERATIVE EXTENSION SERVICE
 AGRICULTURE AND HOME ECONOMICS
 STATE OF MISSISSIPPI
 MISSISSIPPI STATE UNIVERSITY
 AND
 UNITED STATES DEPARTMENT OF AGRICULTURE COOPERATING
 SOLAR CALF SHELTER WITH
 SLIDE-IN PARTITION
 W.VA 86 6377 SHEET 2 OF 2