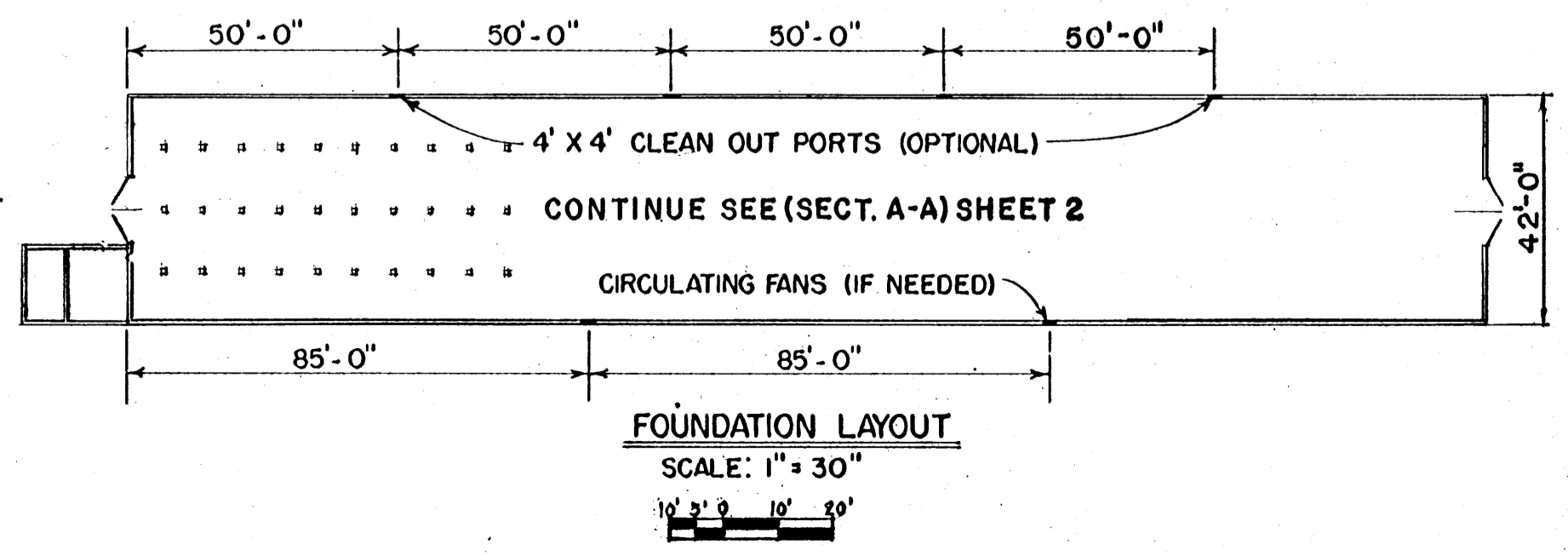
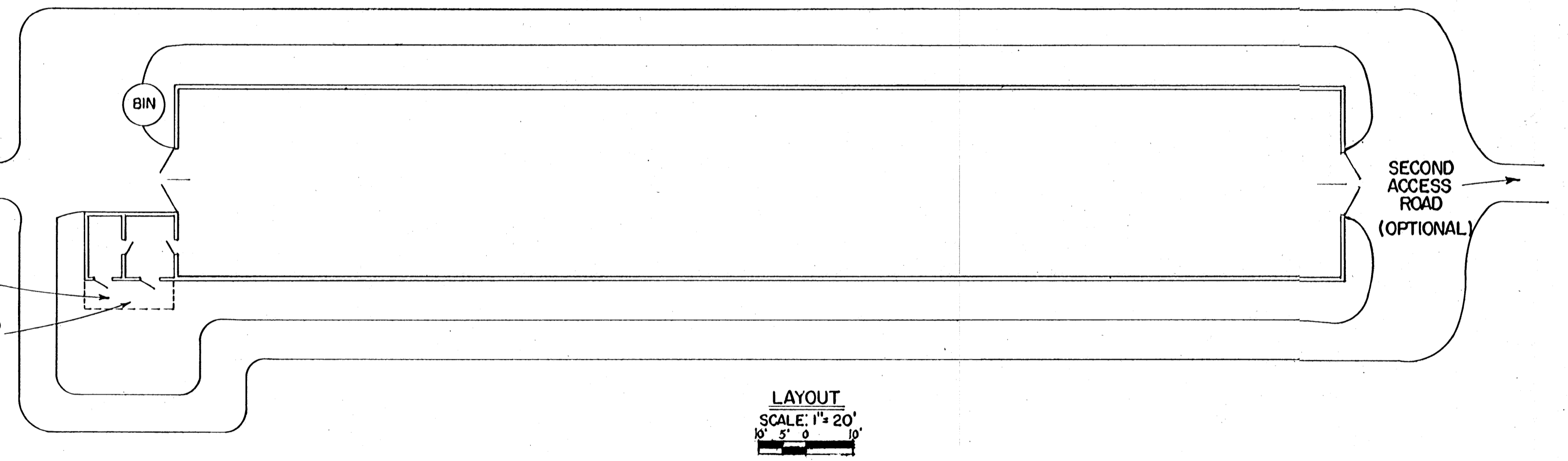


CONSTRUCT LOADING DOCK (IF DESIRED) & FILL TO LEVEL REQUIRED FOR TRUCKS



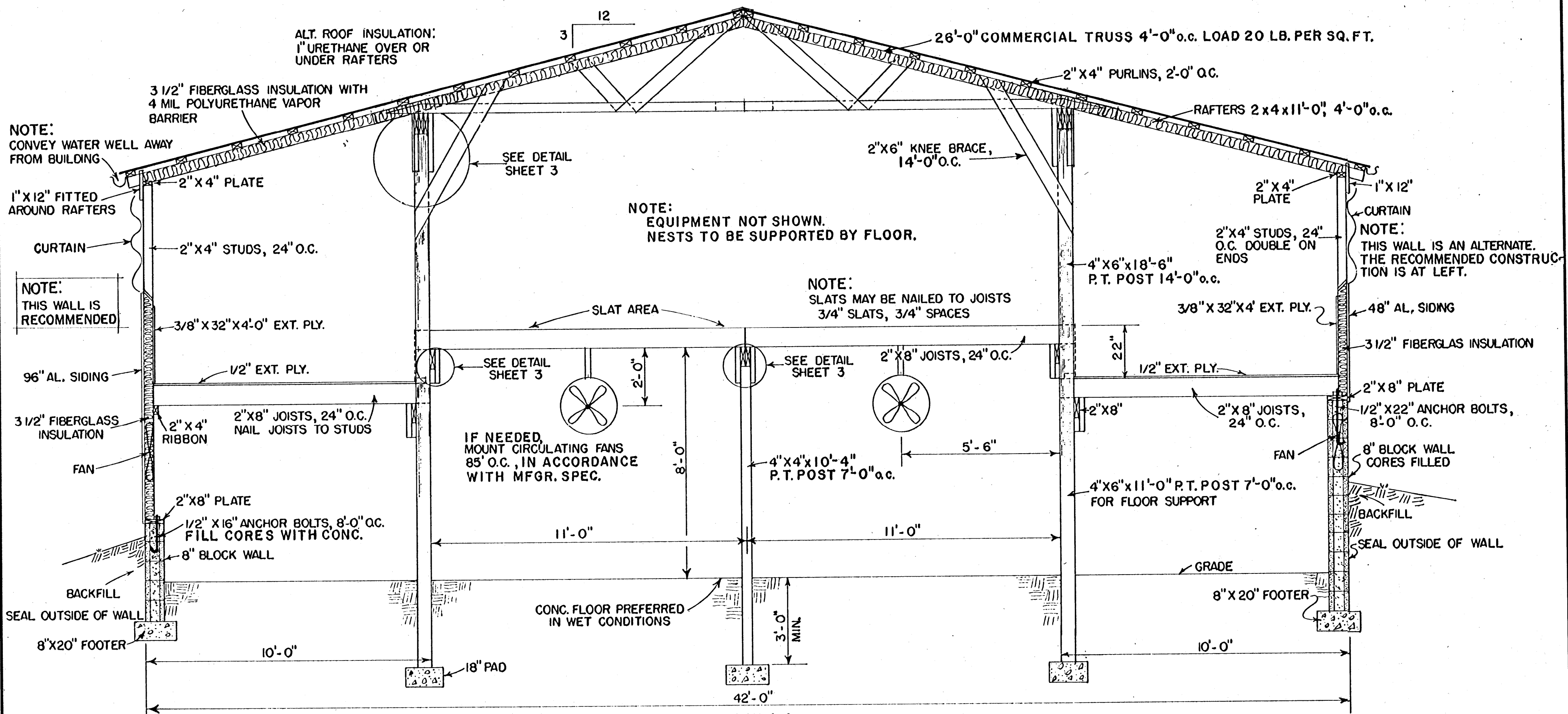
CONSULT LOCAL HEALTH AND BUILDING CODE AUTHORITIES BEFORE STARTING CONSTRUCTION.

BASED ON: VPI & SU PLAN NO. F-2.50

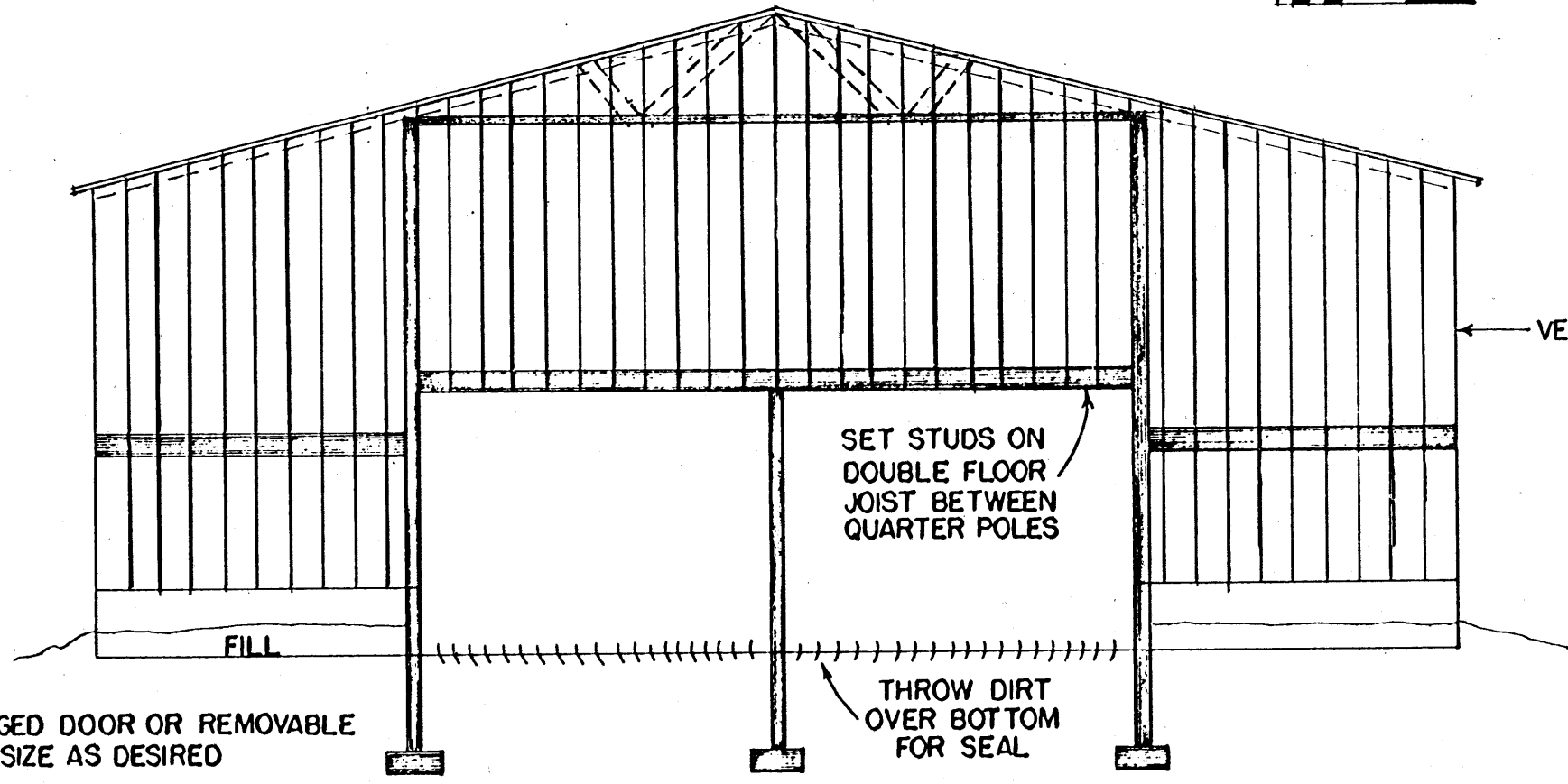
COOPERATIVE EXTENSION WORK IN AGRICULTURE AND HOME ECONOMICS  
STATE OF MISSISSIPPI  
MISSISSIPPI STATE UNIVERSITY  
AND  
UNITED STATES DEPARTMENT OF AGRICULTURE COOPERATING

**BROILER BREEDER HOUSE  
DEEP PIT**

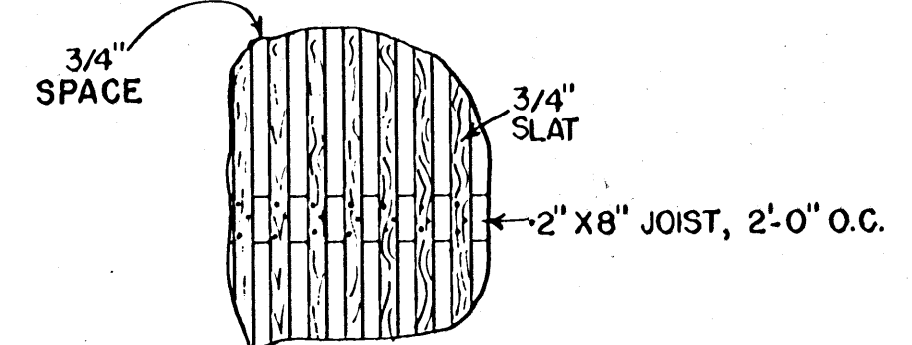
VA.	'75	6235	SHEET 1 OF 3
-----	-----	------	--------------



**SECTION A-A**  
SCALE: 3/8" = 1'-0"  
12' 6" 0' 1' 2'



**END WALL ELEVATION**  
SCALE: 3/16" = 1'-0"  
12' 0' 1' 2' 3' 4' 5' 6' 7'



**TOP VIEW OF SLATS**  
SCALE: 1/2" = 1'-0"  
12' 0' 6' 3' 0'

INSTALL HINGED DOOR OR REMOVABLE PANEL, SIZE AS DESIRED

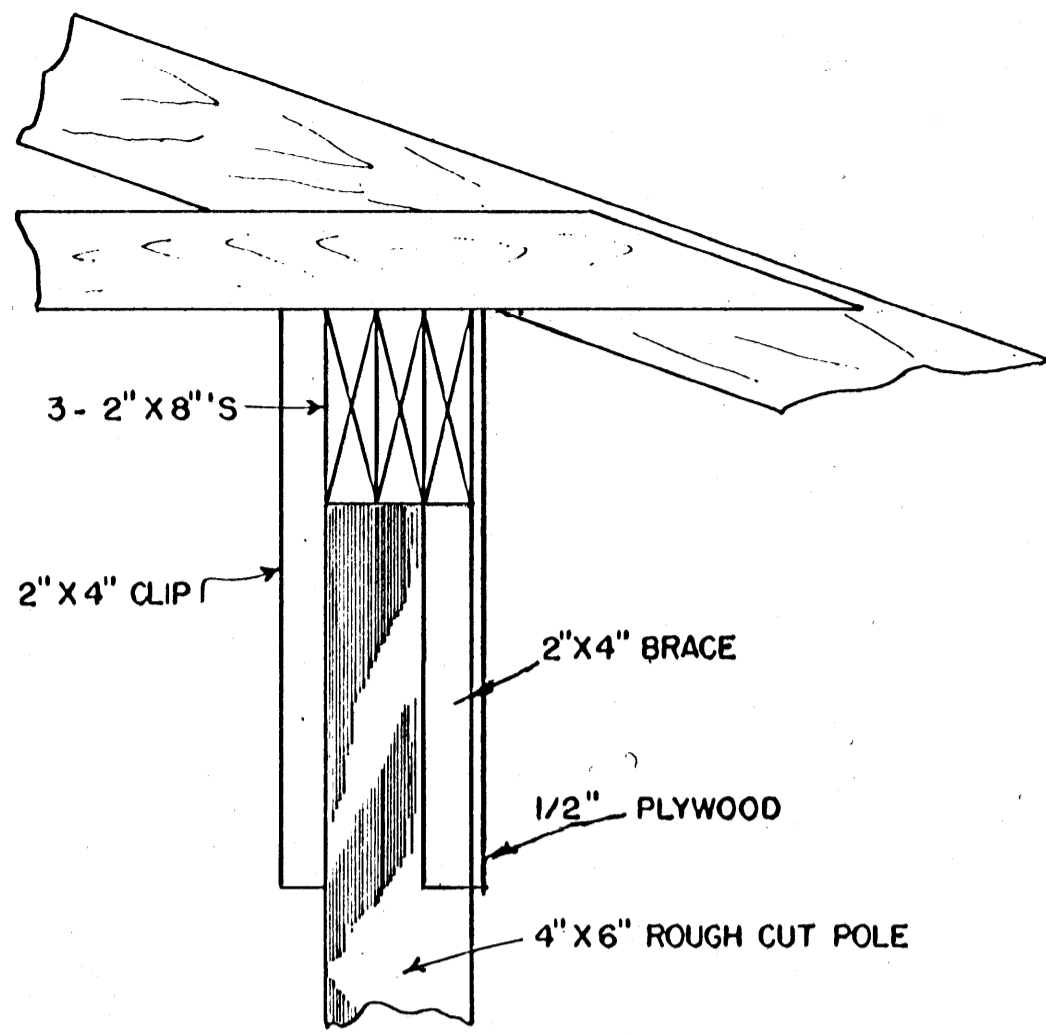
SET STUDS ON DOUBLE FLOOR JOIST BETWEEN QUARTER POLES  
THROW DIRT OVER BOTTOM FOR SEAL

MENTION OF A TRADE NAME DOES NOT CONSTITUTE A GUARANTEE OR WARRANTY OF THE PRODUCT BY THE U.S. DEPARTMENT OF AGRICULTURE OR AN ENDORSEMENT BY THE DEPARTMENT OVER OTHER PRODUCTS NOT MENTIONED.

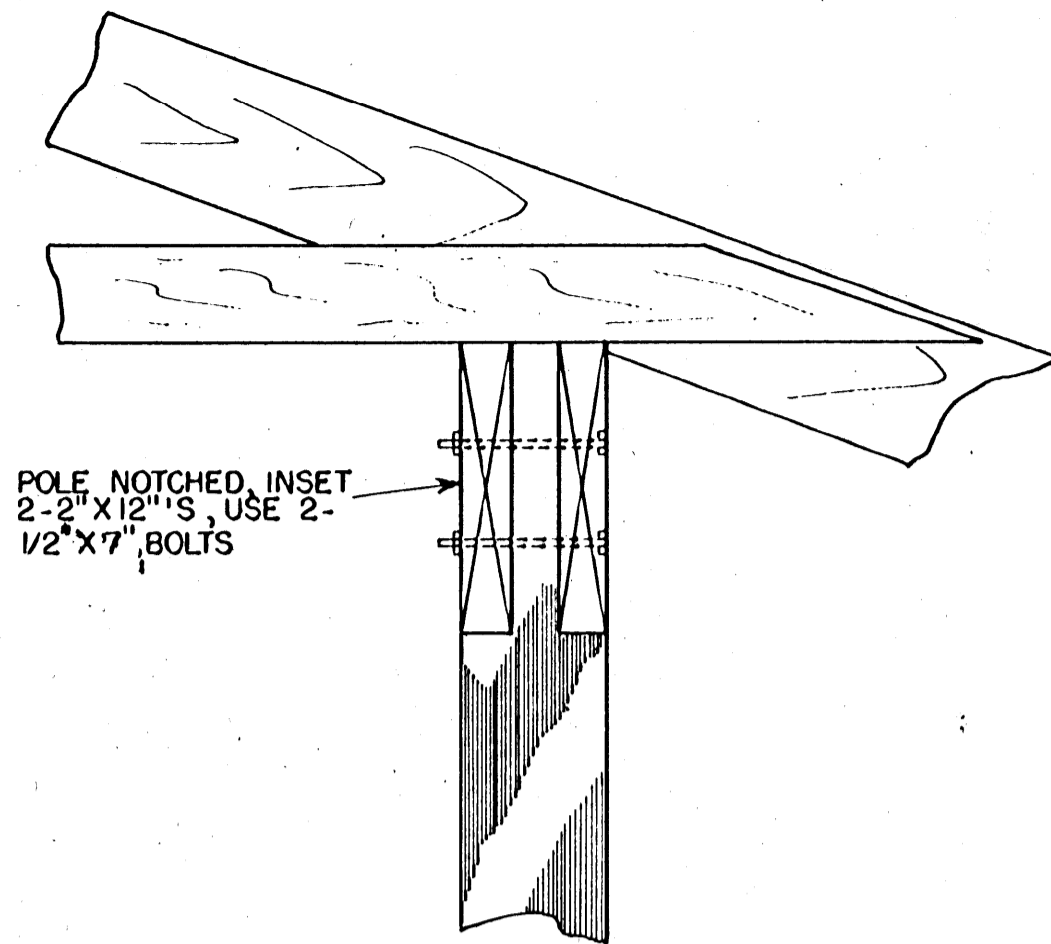
**NOTE: ROUGH LUMBER THRU-OUT UNLESS OTHERWISE INDICATED**

COOPERATIVE EXTENSION WORK IN AGRICULTURE AND HOME ECONOMICS  
STATE OF MISSISSIPPI  
MISSISSIPPI STATE UNIVERSITY  
AND UNITED STATES DEPARTMENT OF AGRICULTURE COOPERATING  
**BROILER BREEDER HOUSE DEEP PIT**

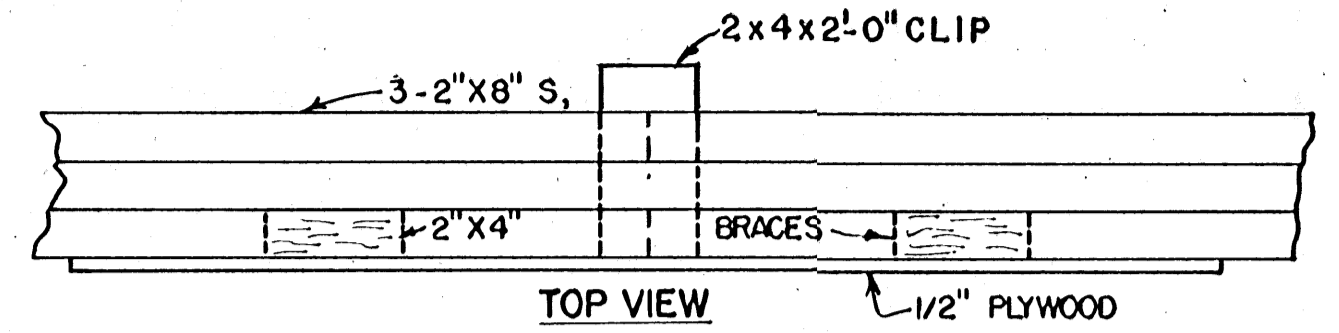
VA.	'75	6235	SHEET 2 OF 3
-----	-----	------	--------------



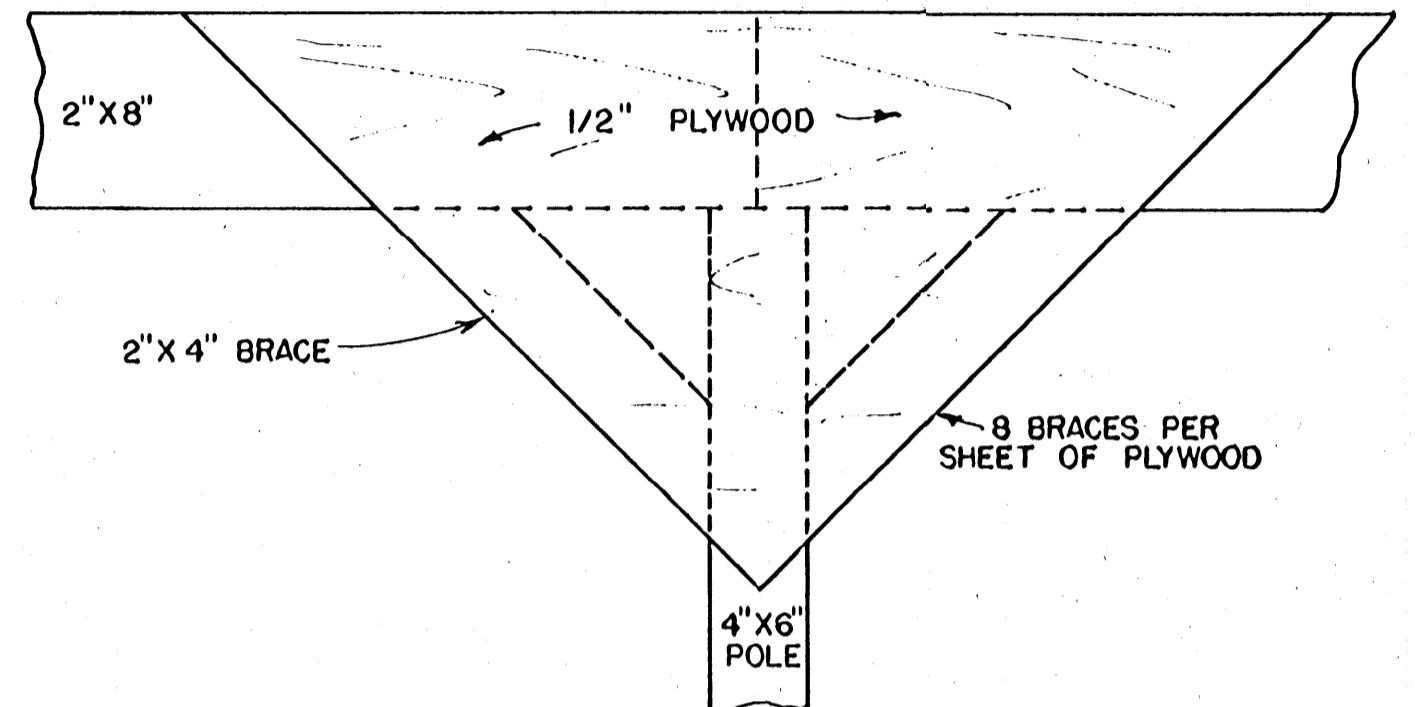
QUARTER POLE TOP



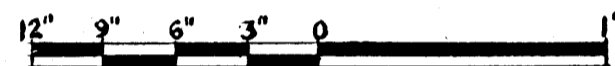
ALTERNATE QUARTER POLE TOP



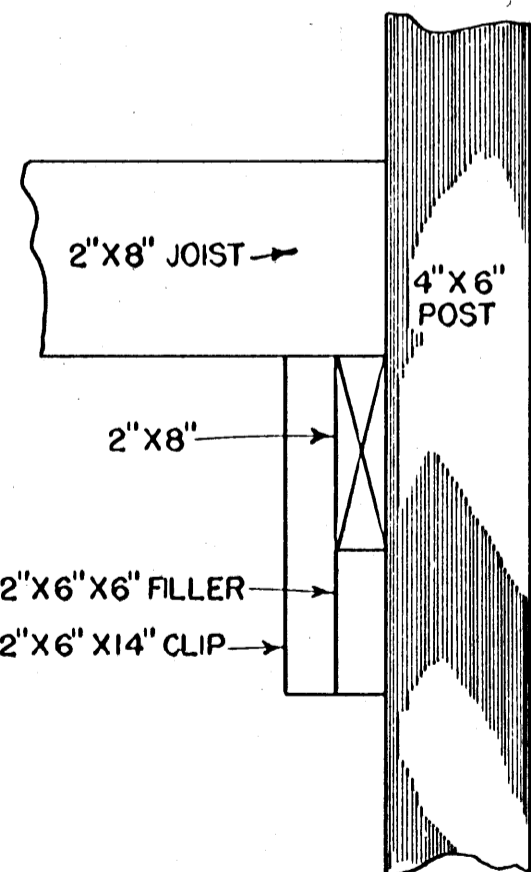
TOP VIEW



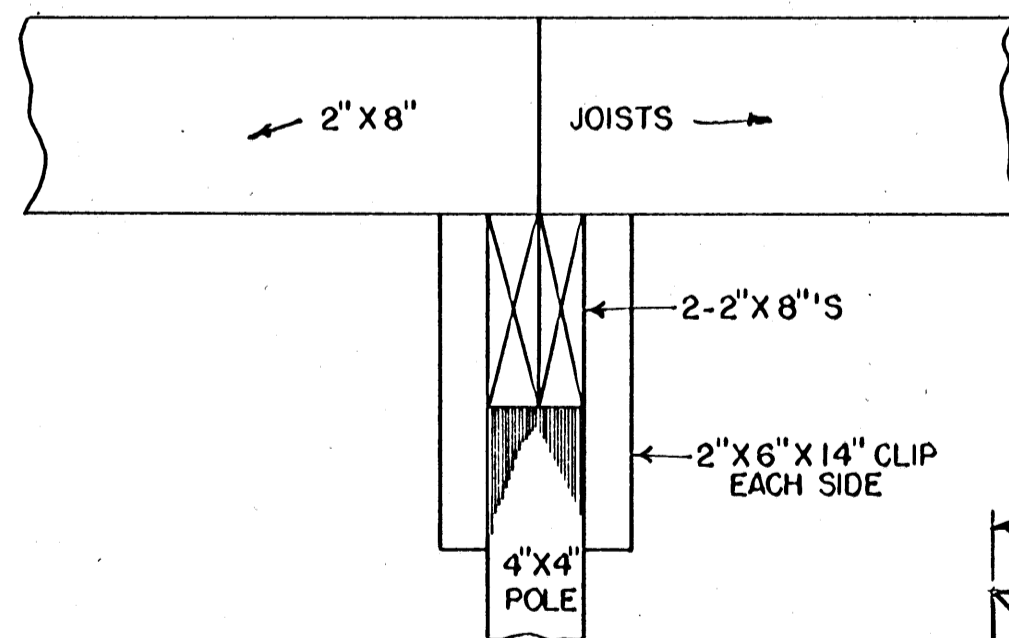
SIDE VIEW  
PLYWOOD BRACE SYSTEM



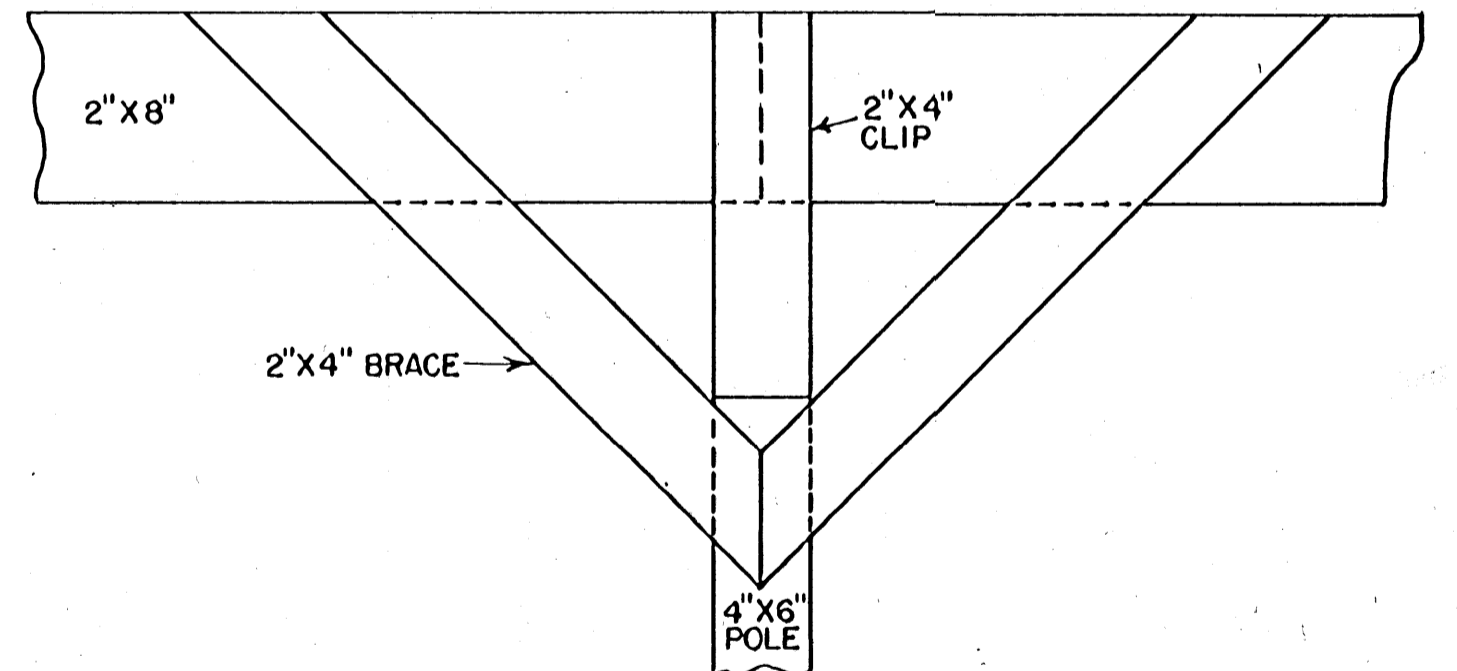
ALL SCALES THIS SHEET, 1 1/2" = 1'-0"  
UNLESS OTHERWISE NOTED.



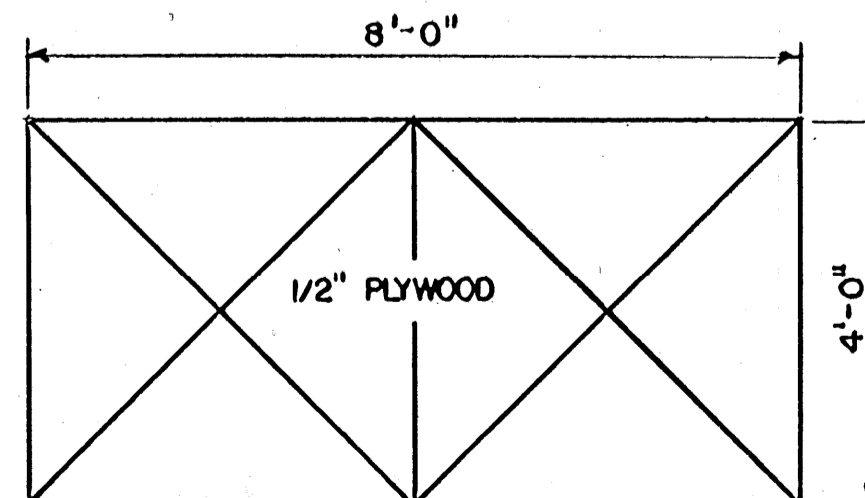
QUARTER SUPPORT



CENTER SUPPORT



ALTERNATE BRACE SYSTEM



CUTTING DIAGRAM FOR BRACES  
SCALE: 1/2" = 1'-0"



COOPERATIVE EXTENSION WORK IN  
AGRICULTURE AND HOME ECONOMICS  
STATE OF MISSISSIPPI  
MISSISSIPPI STATE UNIVERSITY  
AND  
UNITED STATES DEPARTMENT OF AGRICULTURE COOPERATING

**BROILER BREEDER HOUSE  
DEEP PIT**

VA. '75 6 2 3 5 SHEET 3 OF 3