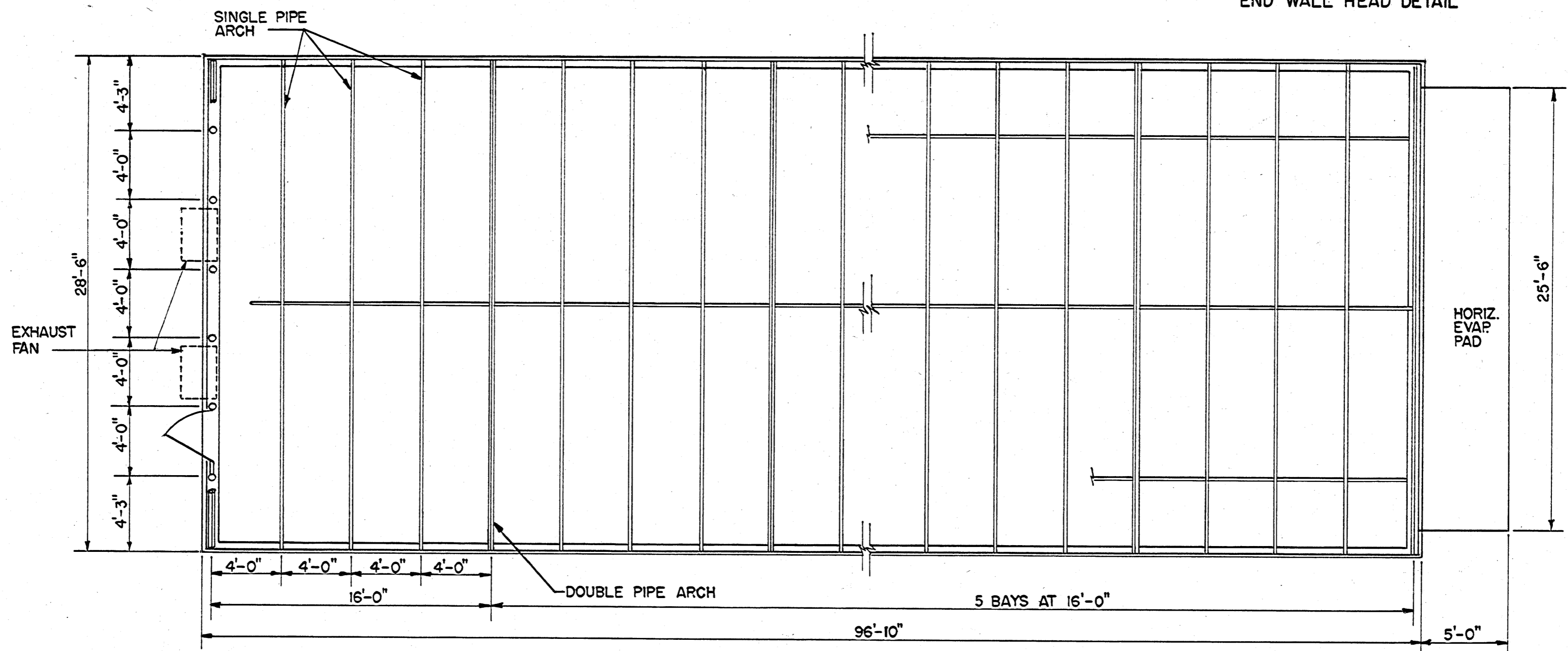
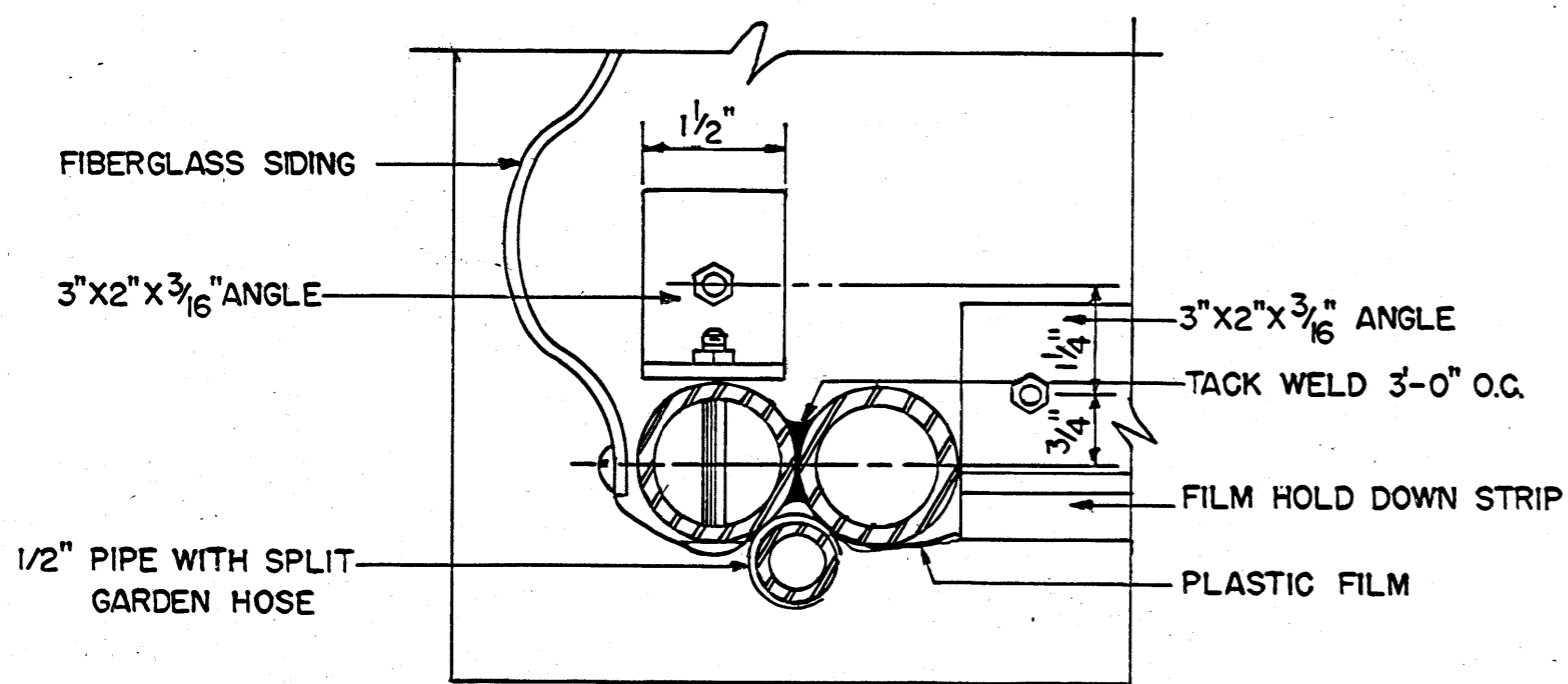


END WALL HEAD DETAIL

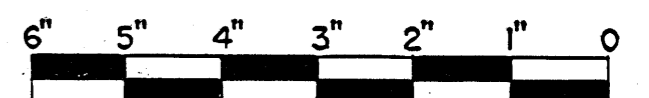


FLOOR PLAN
SCALE: 3/16"=1'
12" 0 1 2 3 4'



FOUNDATION CORNER DETAIL

NOTE:
CONSULT LOCAL HEALTH AND BUILDING
CODE AUTHORITIES BEFORE STARTING
CONSTRUCTION.

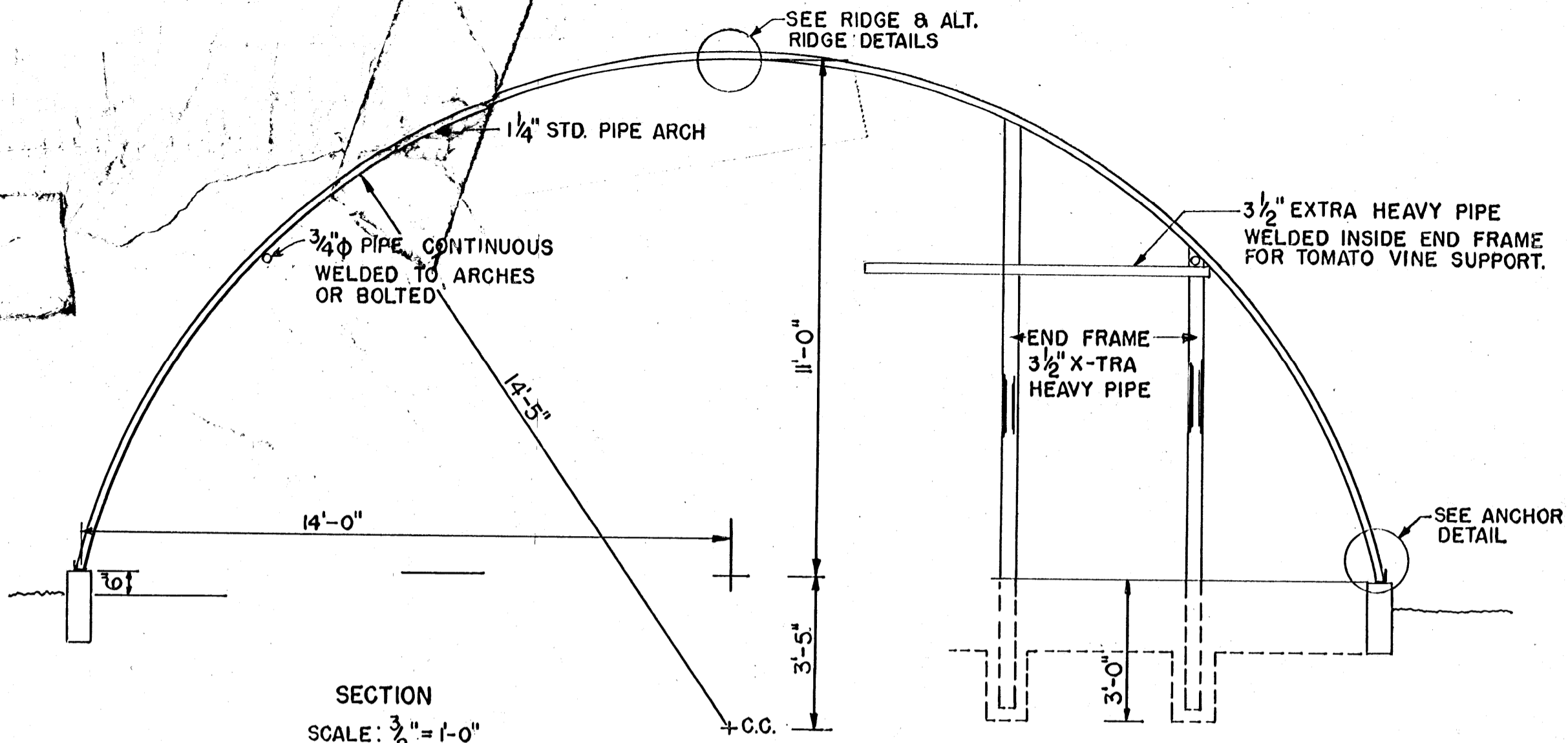


SCALE: 6"=1'-0" UNLESS OTHERWISE NOTED.

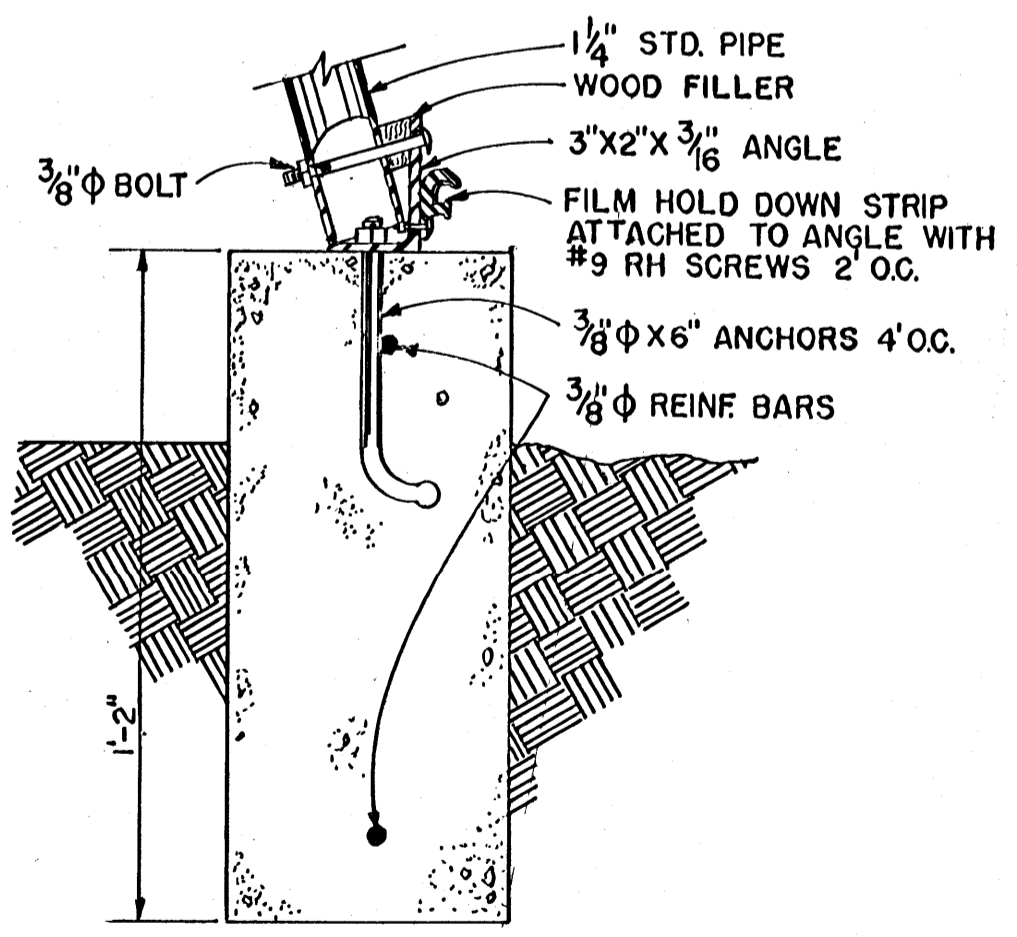
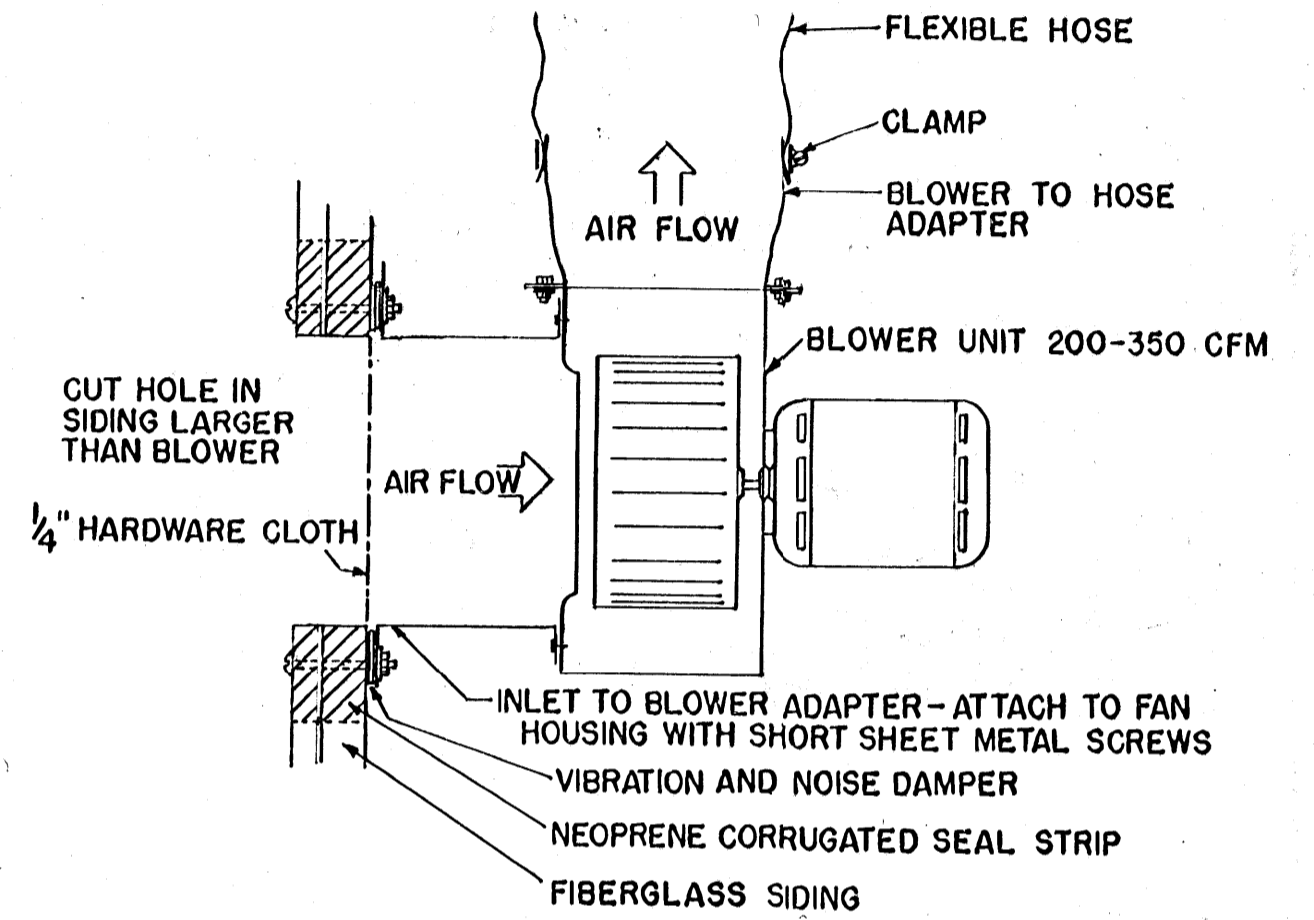
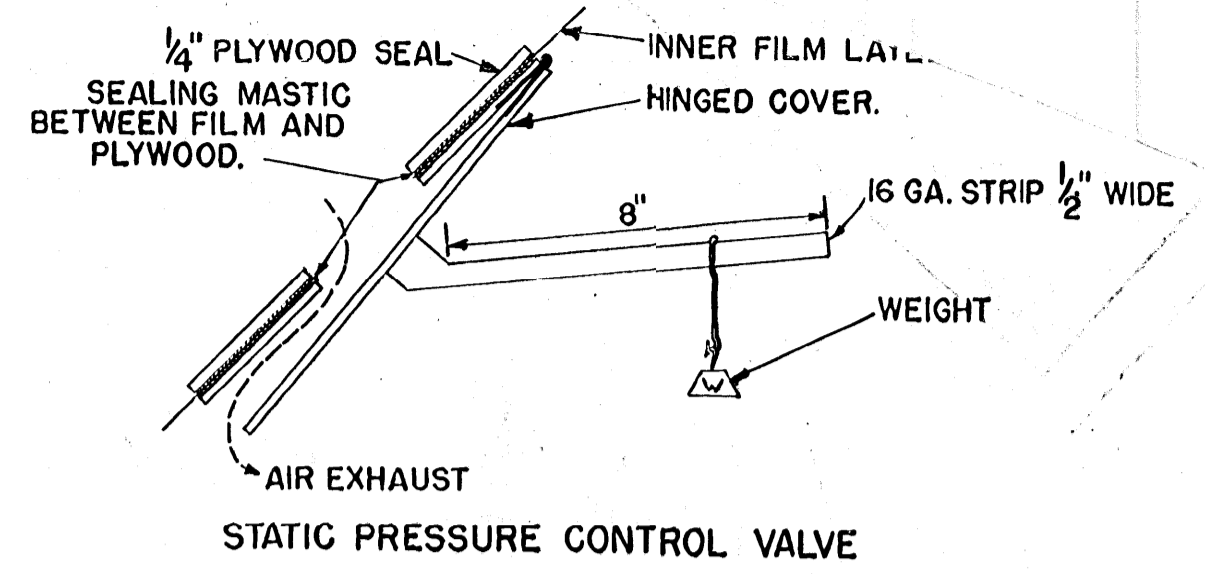
COOPERATIVE EXTENSION WORK IN
AGRICULTURE AND HOME ECONOMICS
STATE OF MISSISSIPPI
MISSISSIPPI STATE UNIVERSITY
AND
UNITED STATES DEPARTMENT OF AGRICULTURE COOPERATING

GREENHOUSE
PIPE FRAME

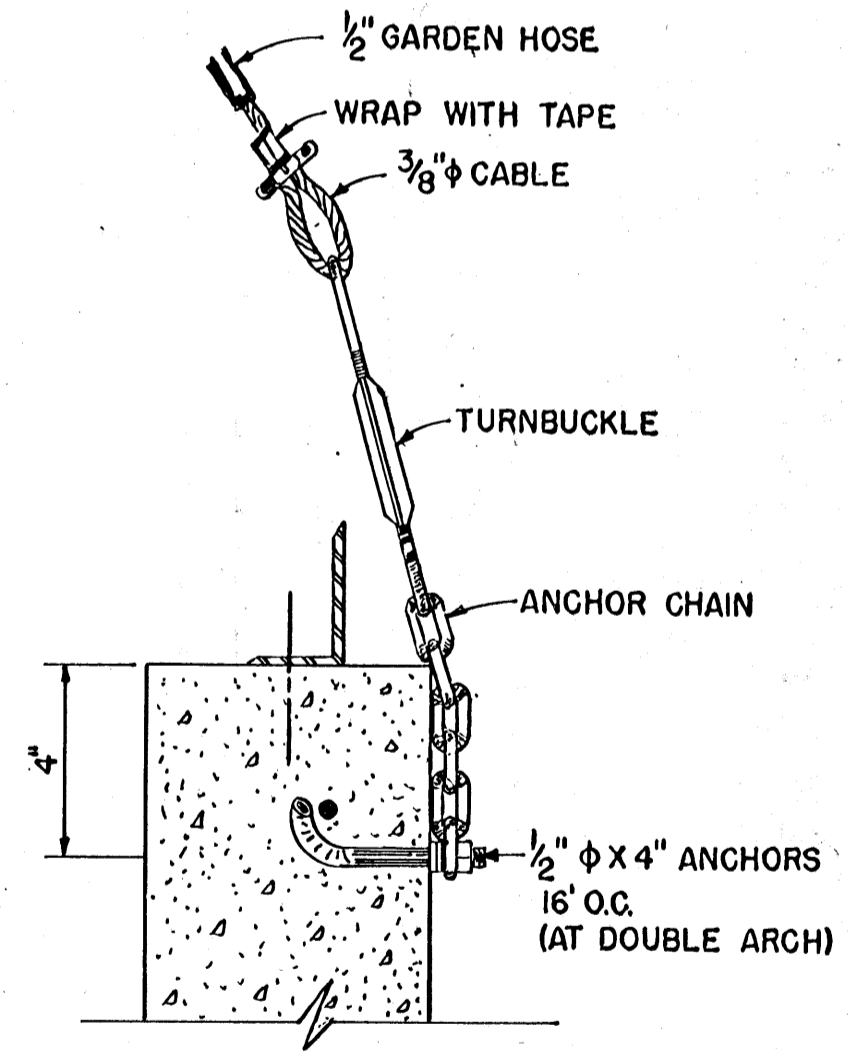
TEX. '75 6222 SHEET 1 OF 3



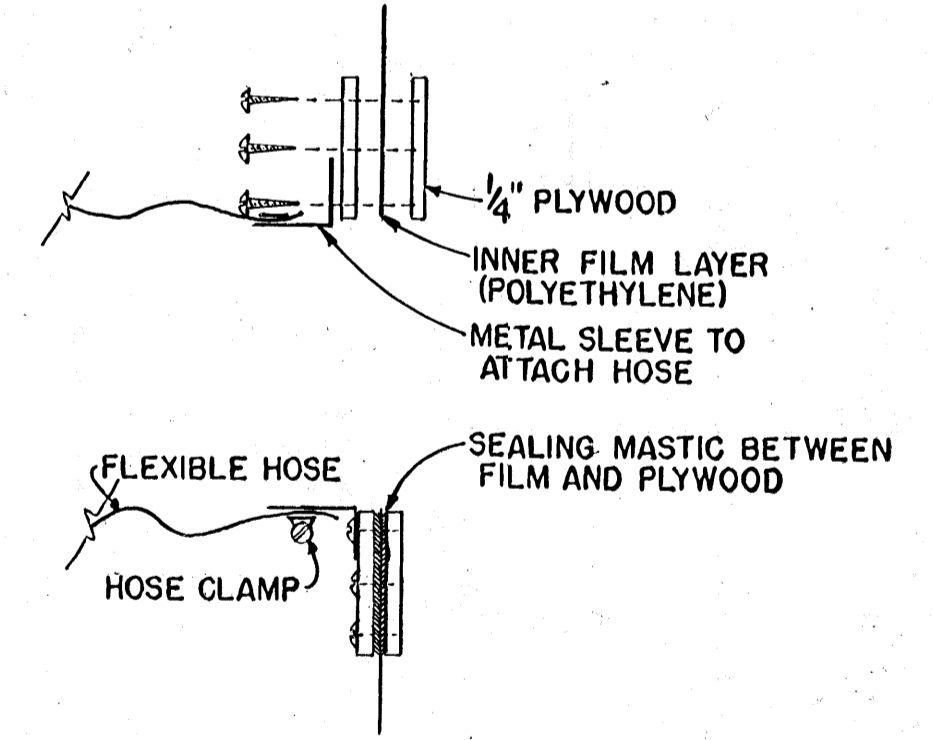
SECTION
SCALE: 3/8" = 1'-0"
12" 0' 1' 2'



FOUNDATION DETAIL



TIE DOWN CABLE ANCHOR
INSTALL ON BOTH SIDES OF BLDG.



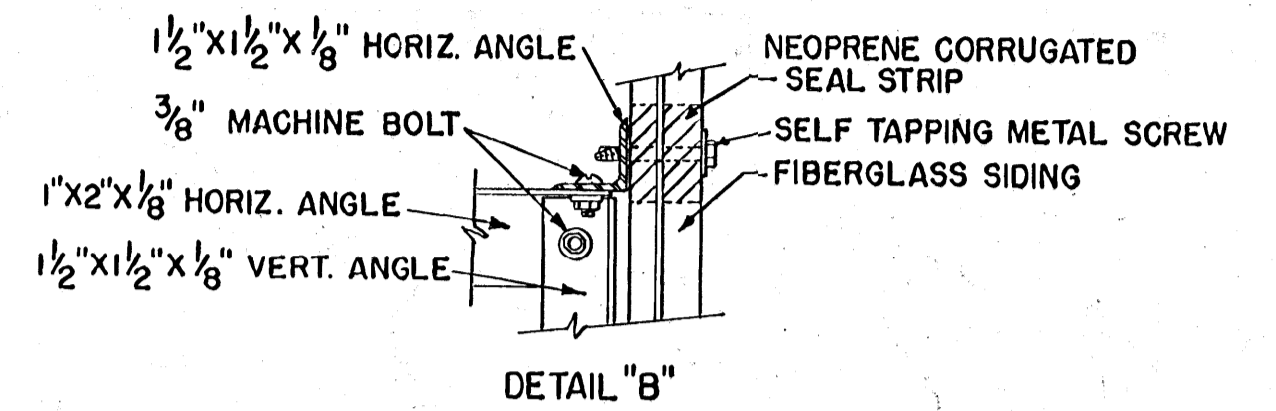
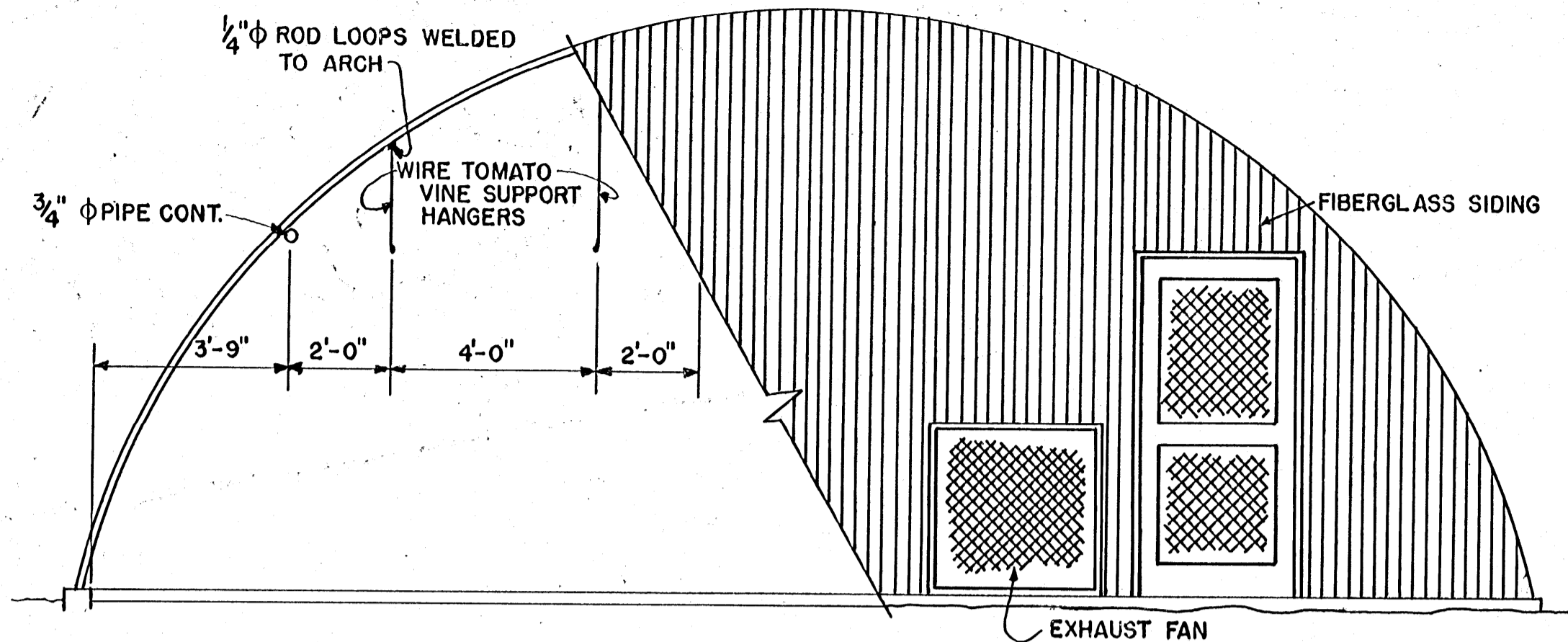
AIR SUPPLY ATTACHMENT

12" 9" 6" 3" 0"
SCALE: 3" = 1'-0" UNLESS OTHERWISE NOTED.

COOPERATIVE EXTENSION WORK IN
AGRICULTURE AND HOME ECONOMICS
STATE OF MISSISSIPPI
MISSISSIPPI STATE UNIVERSITY.
AND
UNITED STATES DEPARTMENT OF AGRICULTURE COOPERATING

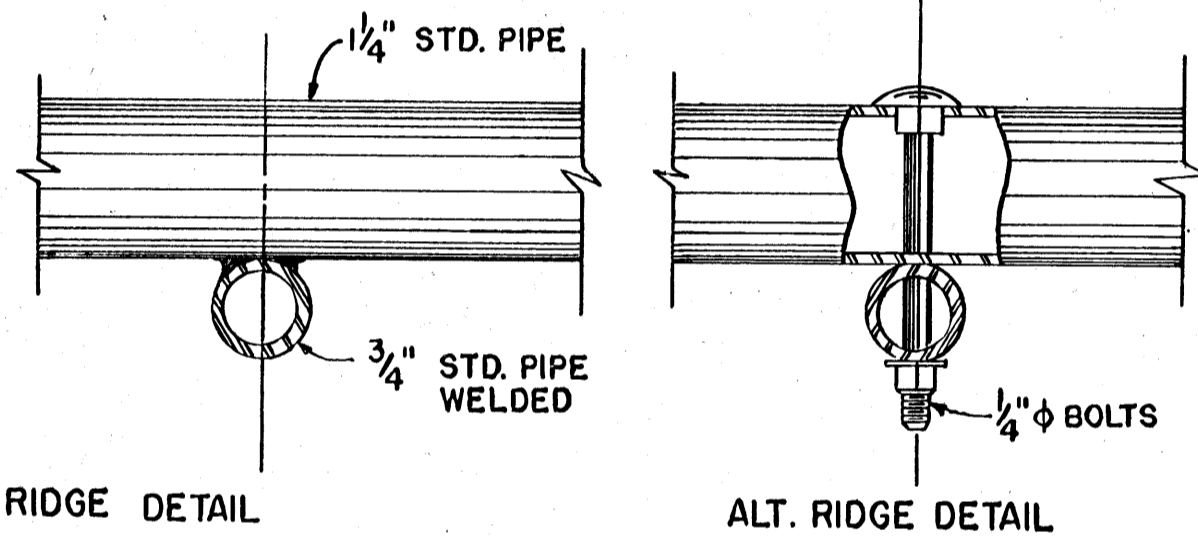
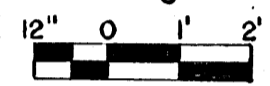
**GREENHOUSE
PIPE FRAME**

TEX. '75	6222	SHEET 2 OF 3
----------	------	--------------



END ELEVATION & SECTION

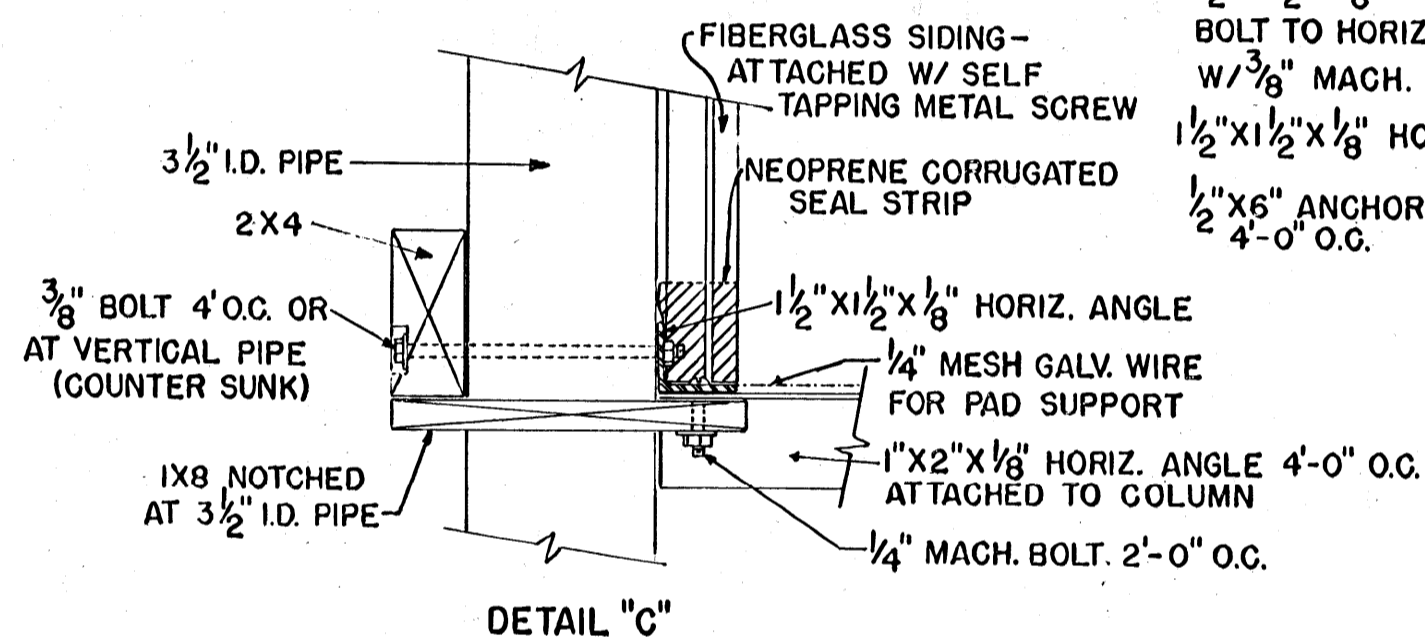
SCALE: $\frac{3}{8}'' = 1'-0''$



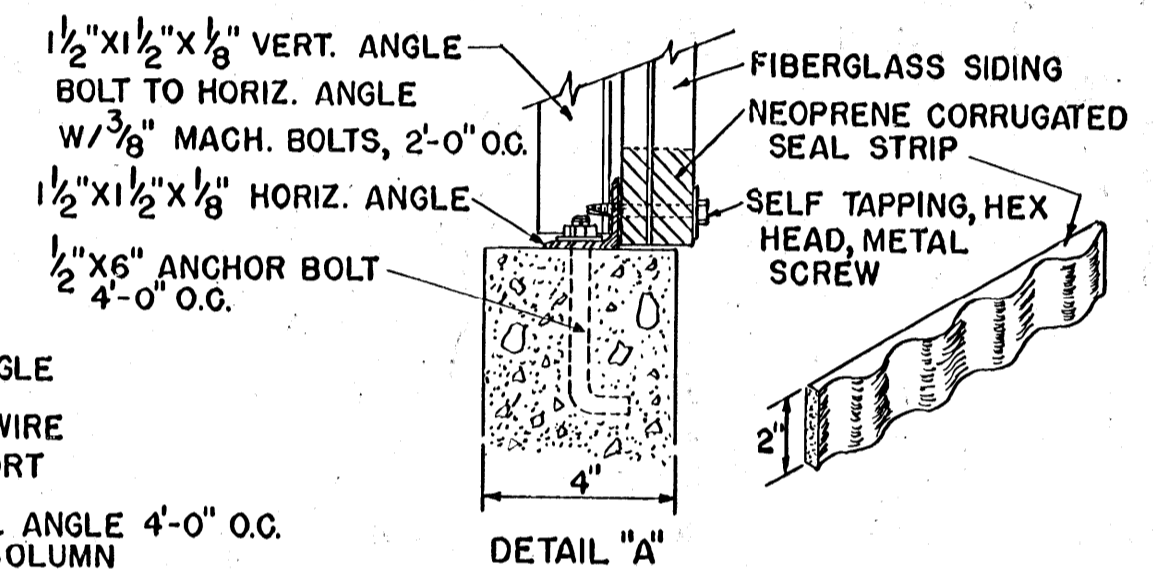
RIDGE DETAIL

ALT. RIDGE DETAIL

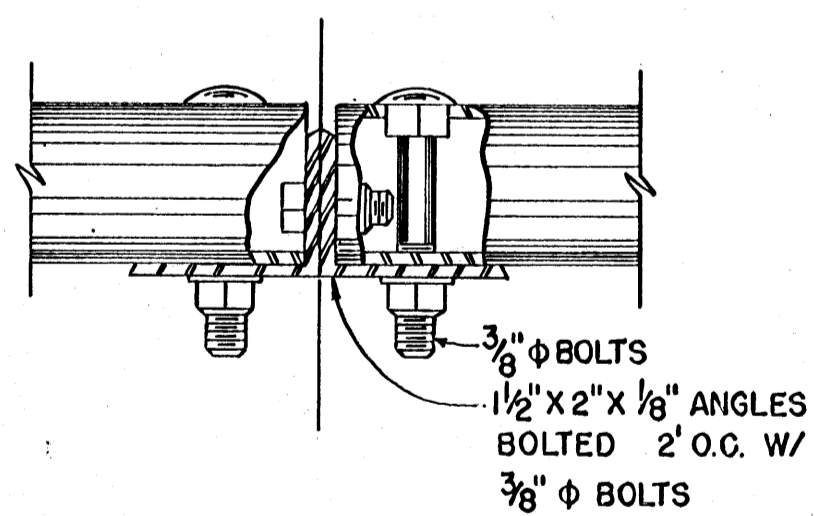
FOR CONTINUOUS ARCH
(ACTUAL PIPE LENGTH $38'-3\frac{5}{8}''$)



DETAIL "C"

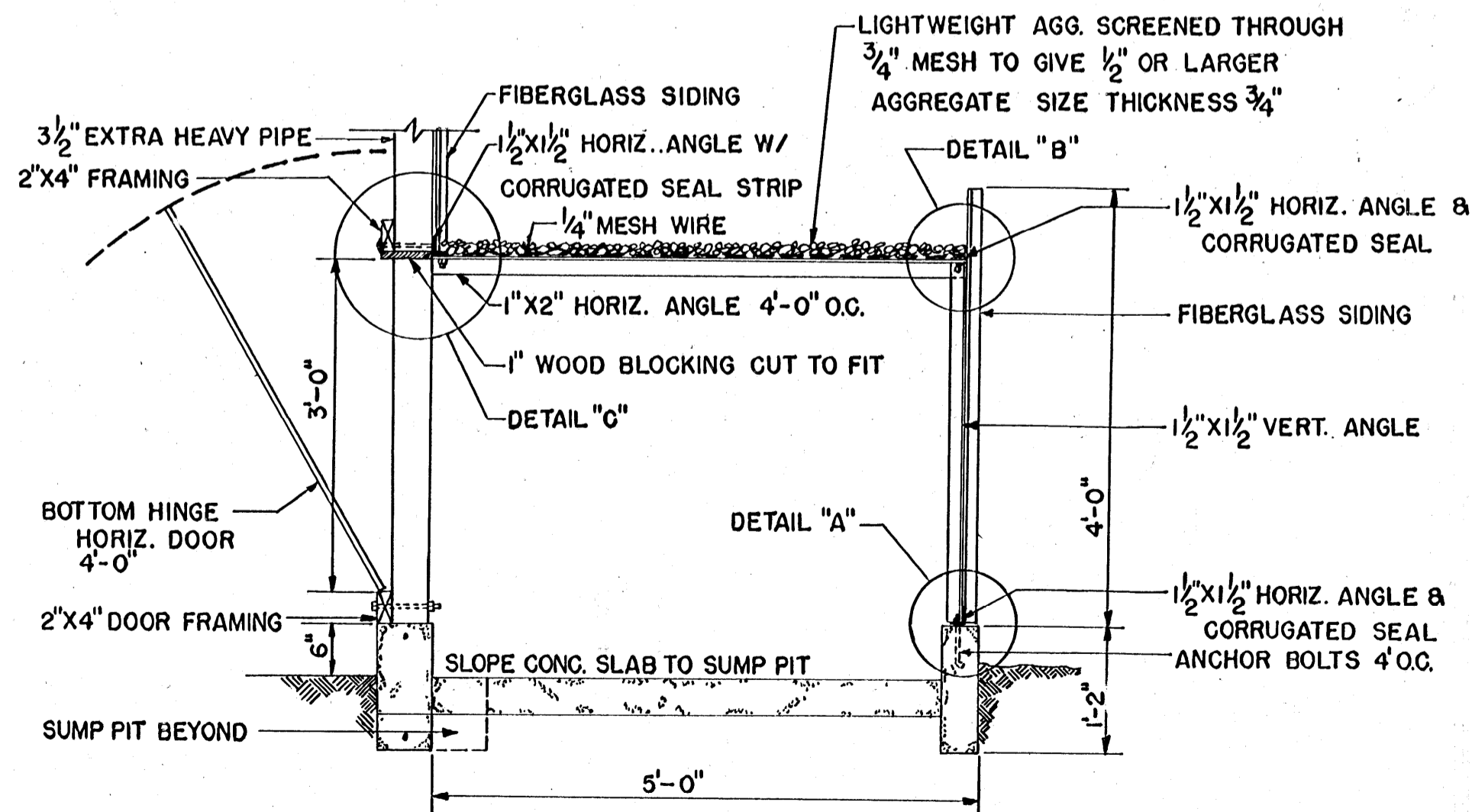
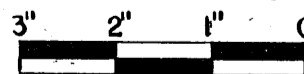


DETAIL "A"



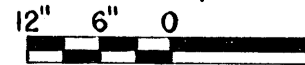
ALT. RIDGE DETAIL
USE TWO 20' ARCHES TO
FORM I FRAME
(ACTUAL PIPE LENGTH = $19'-1\frac{13}{16}''$)

SCALE: $6'' = 1'-0''$



HORIZONTAL EVAPORATIVE PAD SECTION

SCALE: $\frac{3}{4}'' = 1'-0''$



6" 4" 2" 0"

SCALE: $3'' = 1'-0''$ UNLESS OTHERWISE NOTED

COOPERATIVE EXTENSION WORK IN
AGRICULTURE AND HOME ECONOMICS
STATE OF MISSISSIPPI
MISSISSIPPI STATE UNIVERSITY
AND
UNITED STATES DEPARTMENT OF AGRICULTURE COOPERATING

GREENHOUSE
PIPE FRAME

TEX.	'75	6222	SHEET 3 OF 3
------	-----	------	--------------