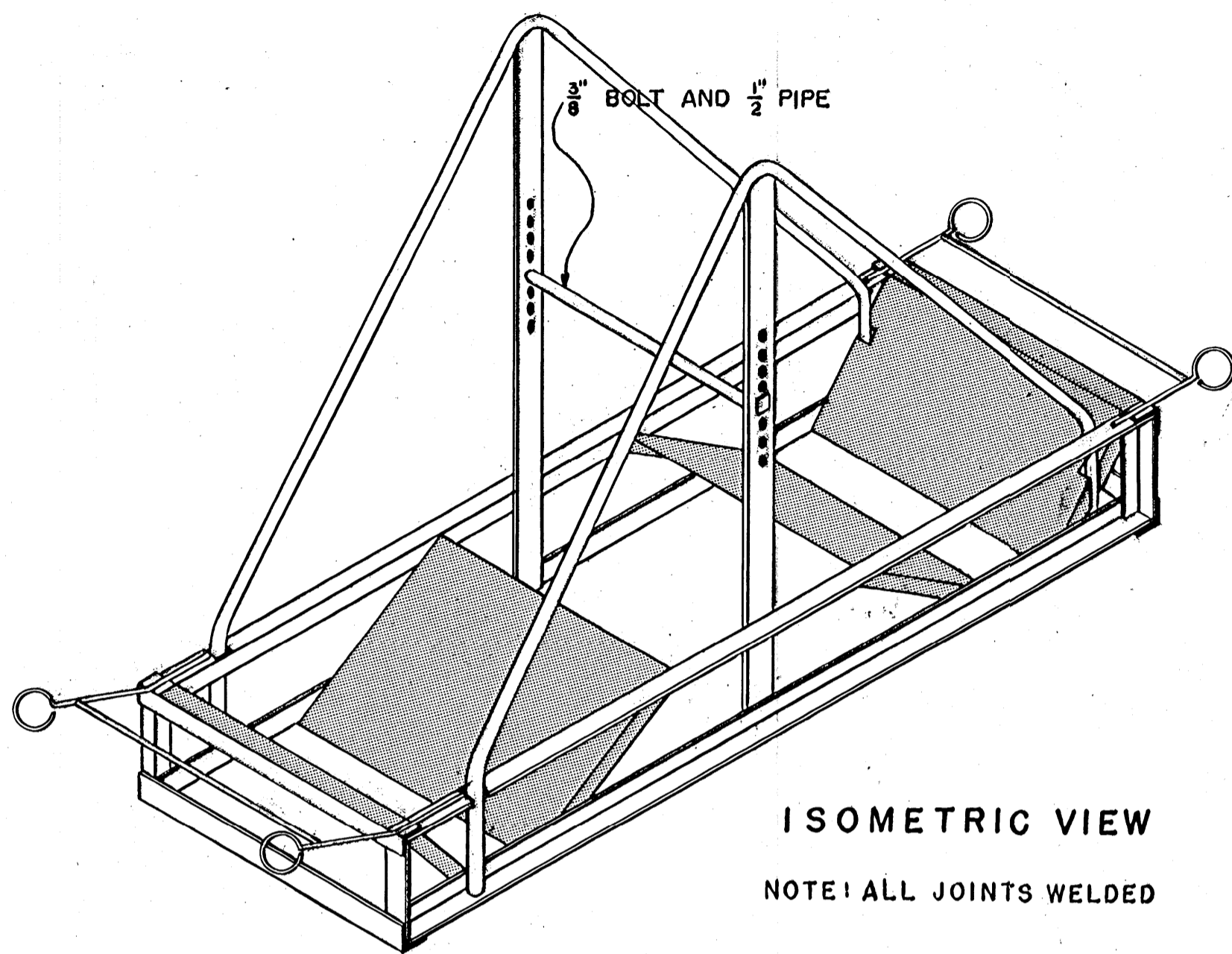
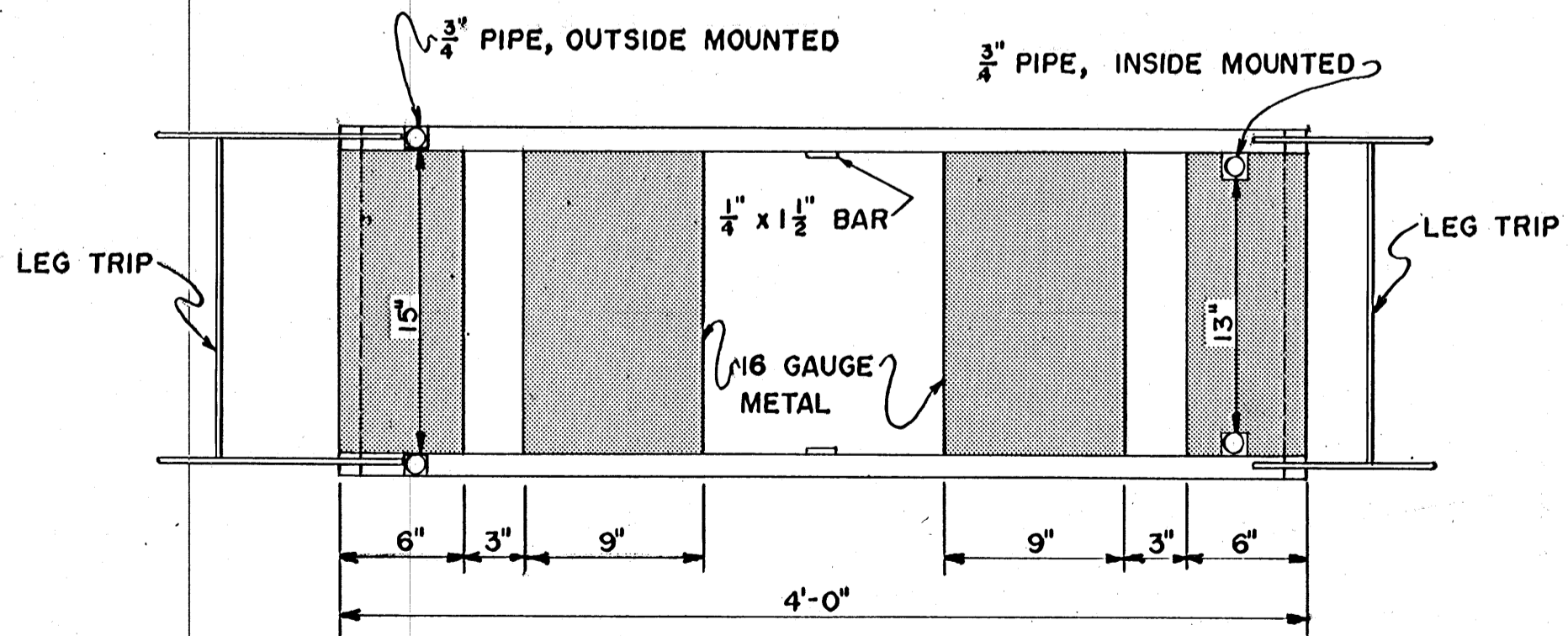


**SIDE VIEW**  
SCALE: 1 1/2" = 1'-0"



**ISOMETRIC VIEW**  
NOTE: ALL JOINTS WELDED



**PLAN**  
SCALE: 1 1/2" = 1'-0"

COOPERATIVE EXTENSION WORK IN  
AGRICULTURE AND HOME ECONOMICS  
STATE OF MISSISSIPPI  
MISSISSIPPI STATE UNIVERSITY  
AND  
UNITED STATES DEPARTMENT OF AGRICULTURE COOPERATING

**SHEEP CHAIR**

VA & ORE '68	EX. 6047	SHEET 1 OF 1
--------------	----------	--------------