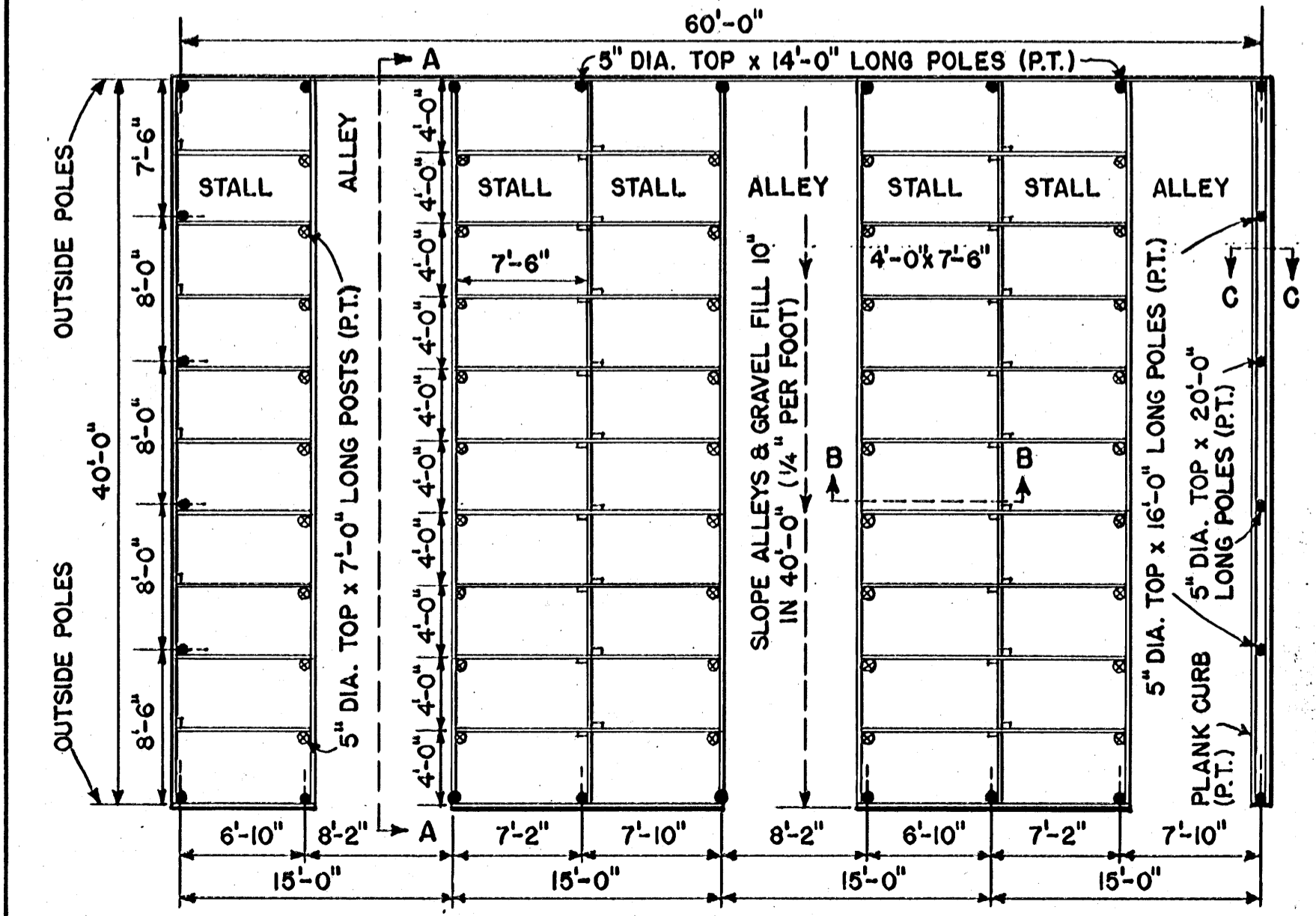
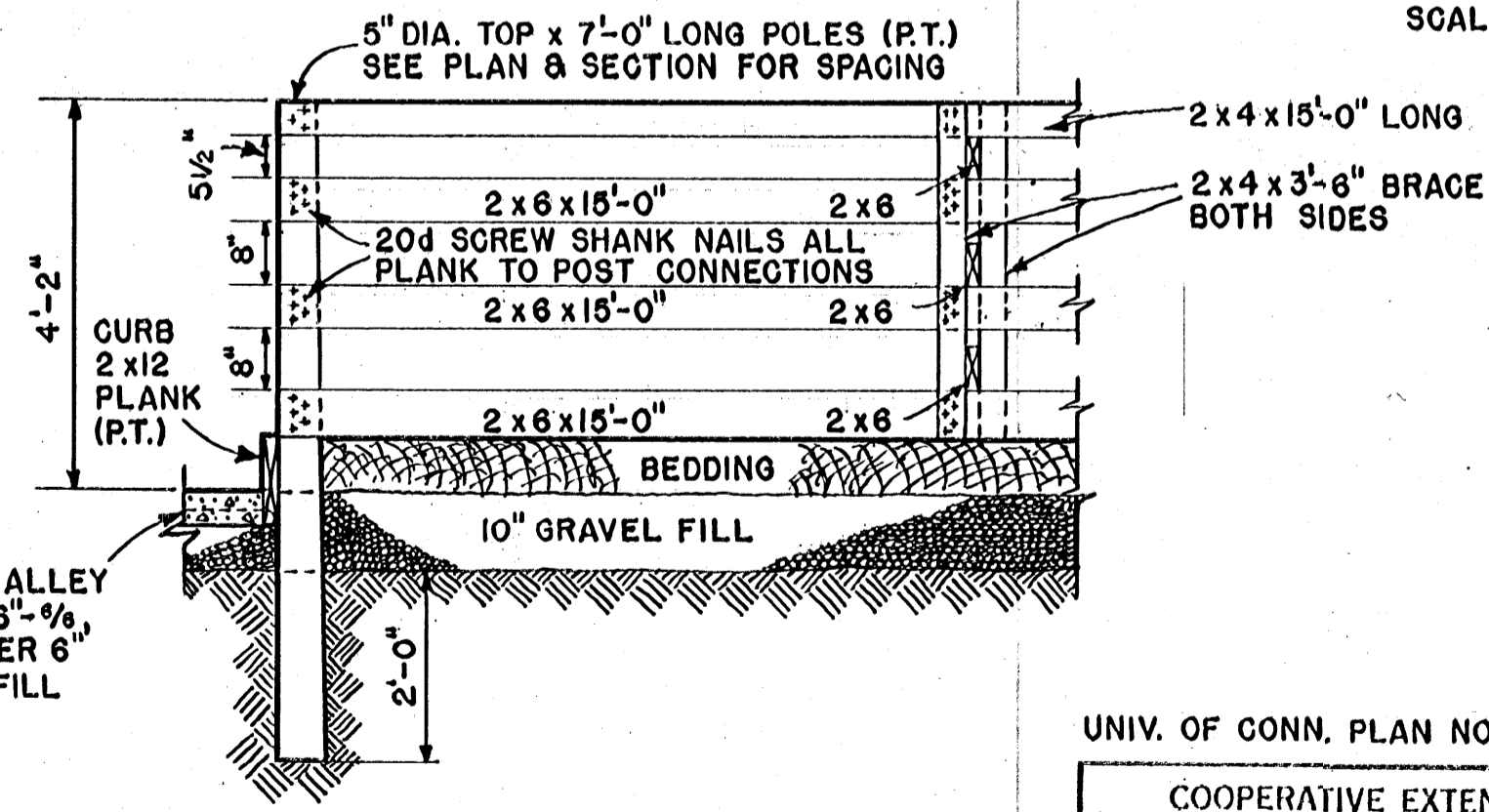


CROSS SECTION A-A
SCALE: 3/8" = 1'-0"

SECTION C-C
GABLE END FRAMING
SCALE: 3/8" = 1'-0"



PLAN VIEW
SCALE: 1/8" = 1'-0"



SECTION THRU STALL B-B
SCALE: 1/2" = 1'-0"

NOTE: ALL DIMENSIONS OF EXTERIOR POLES ARE CENTER TO CENTER UNLESS NOTED OTHERWISE.

UNIV. OF CONN. PLAN NO. 217A

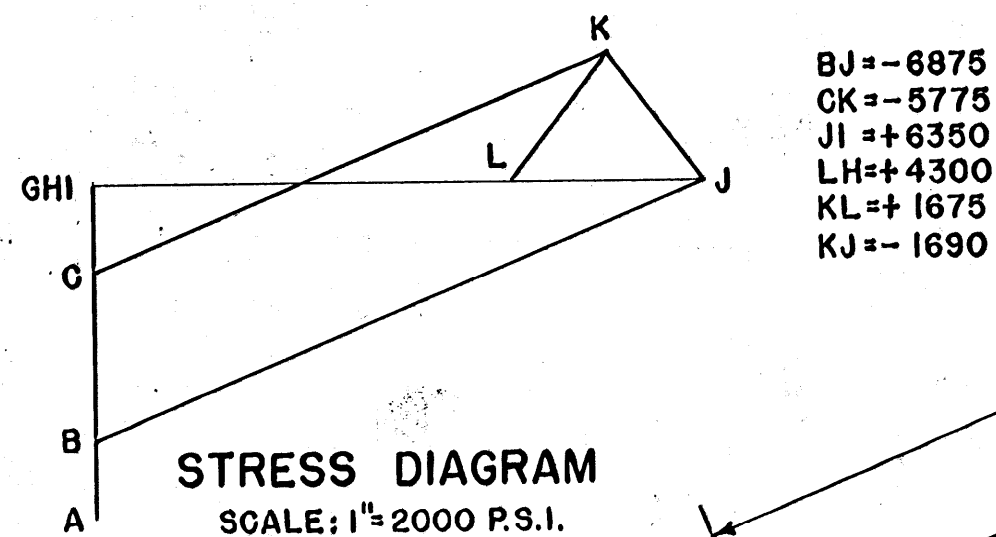
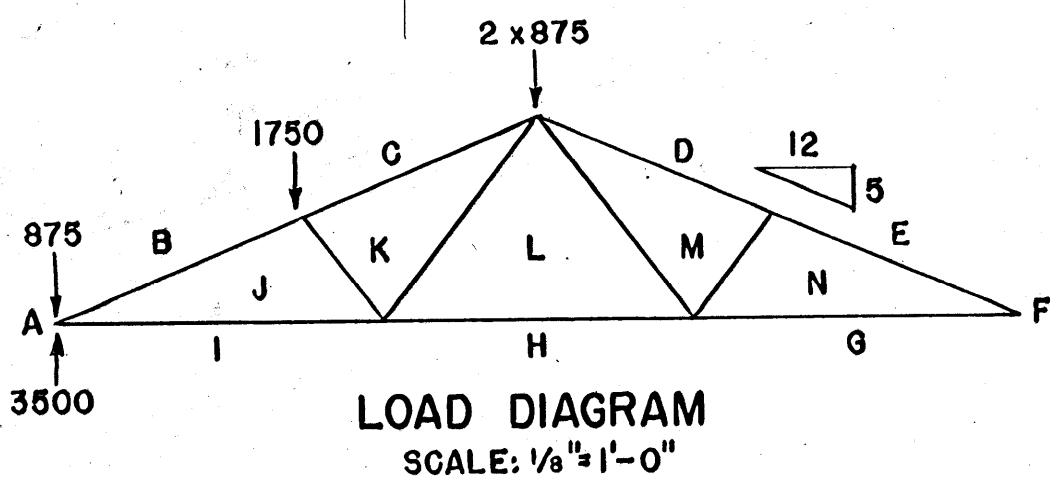
COOPERATIVE EXTENSION WORK IN AGRICULTURE AND HOME ECONOMICS
STATE OF MISSISSIPPI
MISSISSIPPI STATE UNIVERSITY
AND
UNITED STATES DEPARTMENT OF AGRICULTURE COOPERATING

FREE-STALL BARN
50 COWS

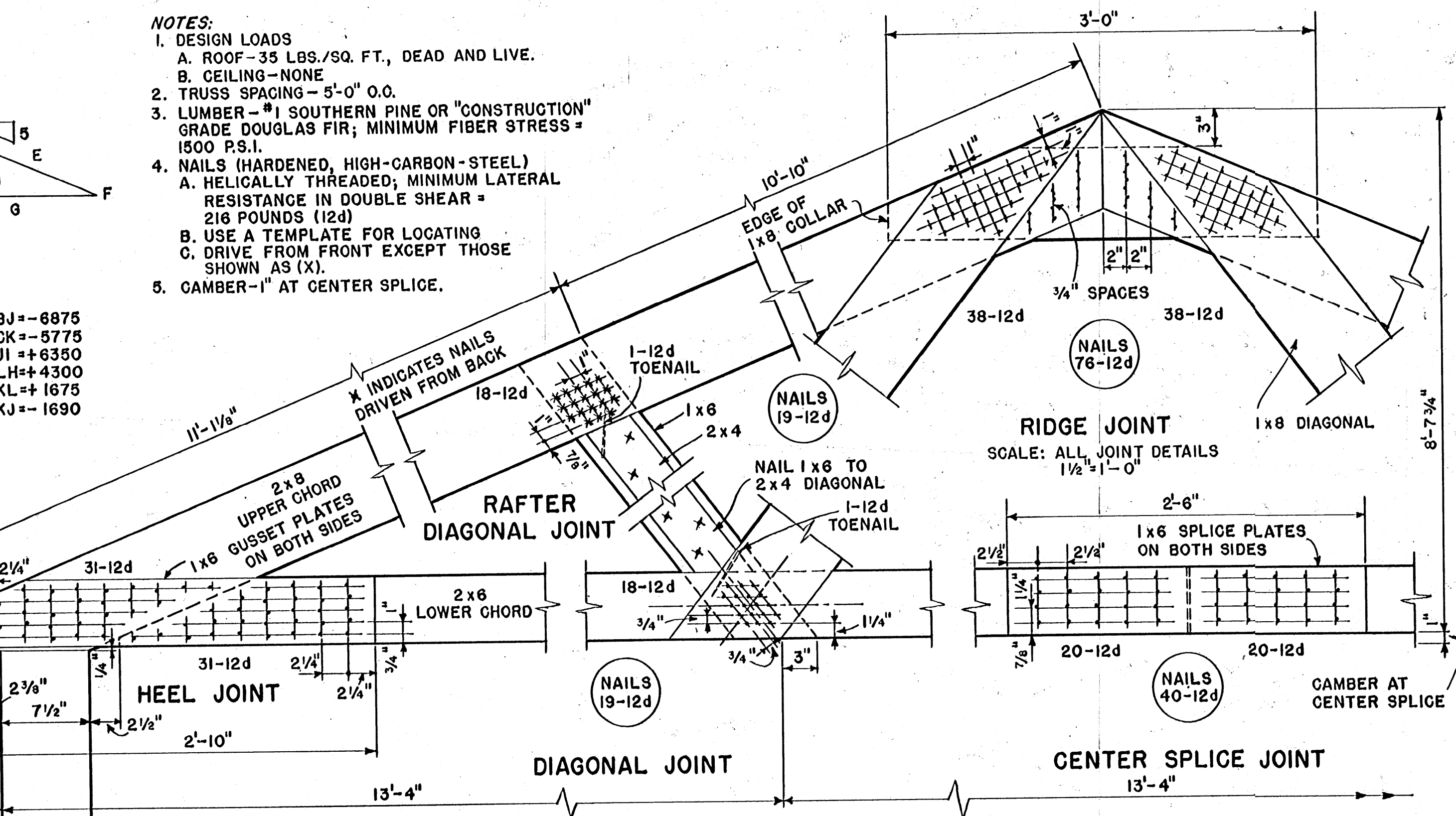
CONN. '67	EX. 6039	SHEET 1 OF 2
-----------	----------	--------------

NOTES:

- DESIGN LOADS
 - ROOF-35 LBS./SQ. FT., DEAD AND LIVE.
 - CEILING-NONE
- TRUSS SPACING-5'-0" O.O.
- LUMBER-#1 SOUTHERN PINE OR "CONSTRUCTION" GRADE DOUGLAS FIR; MINIMUM FIBER STRESS = 1500 P.S.I.
- NAILS (HARDENED, HIGH-CARBON-STEEL)
 - HELICALLY THREADED; MINIMUM LATERAL RESISTANCE IN DOUBLE SHEAR = 216 POUNDS (12d)
 - USE A TEMPLATE FOR LOCATING
 - DRIVE FROM FRONT EXCEPT THOSE SHOWN AS (X).
- CAMBER-1" AT CENTER SPLICE.

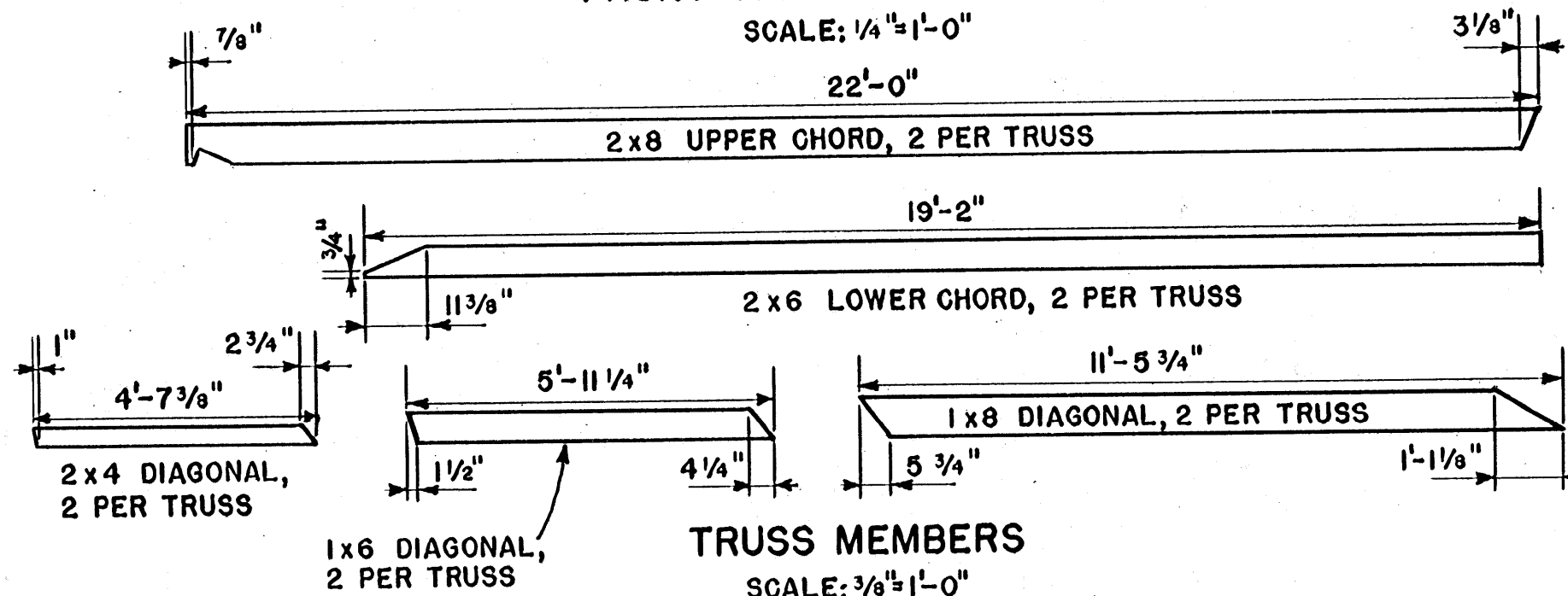
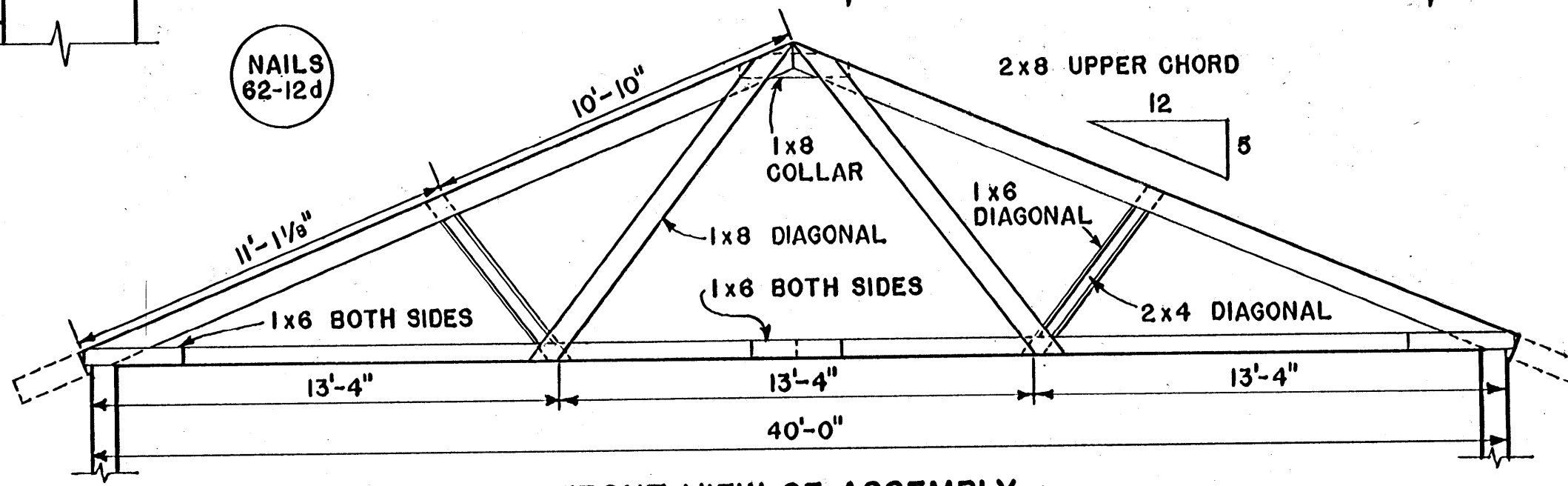


BJ = -6875
 CK = -5775
 JI = +6350
 LH = +4300
 KL = +1675
 KJ = -1690



GENERAL NOTES

- LUMBER:**
- (PT.) INDICATES PRESSURE TREATED MATERIAL.
 - NO. 1 SOUTHERN PINE OR DOUGLAS FIR (MIN. FIBER STRESS = 1500 P.S.I.) TO BE USED FOR TRUSSES, 2-2 x 8s GIRDER, AND 2 x 4 PURLINS.
- ROOFING:**
- STEEL OR ALUMINUM SHEET (NOT EMBOSSED) APPLIED AS PER MANUFACTURER'S SPECIFICATION
 - FASTEN TRUSSES (OVER POST) TO GIRDERS WITH STEEL STRAP OR COMMERCIAL ANCHORS. FASTEN TRUSSES BETWEEN POLES AS PER DETAIL AS SHOWN ON SHEET I.
- NAILS:**
- ALL TO BE SCREW SHANK TYPE.



BILL OF MATERIALS FOR ONE TRUSS

DESCRIPTION	SIZE	PCS.	F.B.M.
UPPER CHORD	2x8x22'-0"	2	59
LOWER CHORD	2x6x20'-0"	2	40
DIAGONALS	2x4x10'-0"	1	7
DIAGONALS	1x8x12'-0"	2	16
COLLAR	1x8x3'-0"	1	2
DIAGONALS	1x6x6'-0"	2	6
GUSSETS	1x6x6'-0"	3	9
TOTAL BOARD FEET = 139			
NAILS	12d HELICALLY THREADED	216	3 LBS.

COOPERATIVE EXTENSION WORK IN AGRICULTURE AND HOME ECONOMICS
 STATE OF MISSISSIPPI
 MISSISSIPPI STATE UNIVERSITY
 AND
 UNITED STATES DEPARTMENT OF AGRICULTURE COOPERATING

FREE-STALL BARN
 50 COWS

CONN. '67 EX. 6039 SHEET 2 OF 2