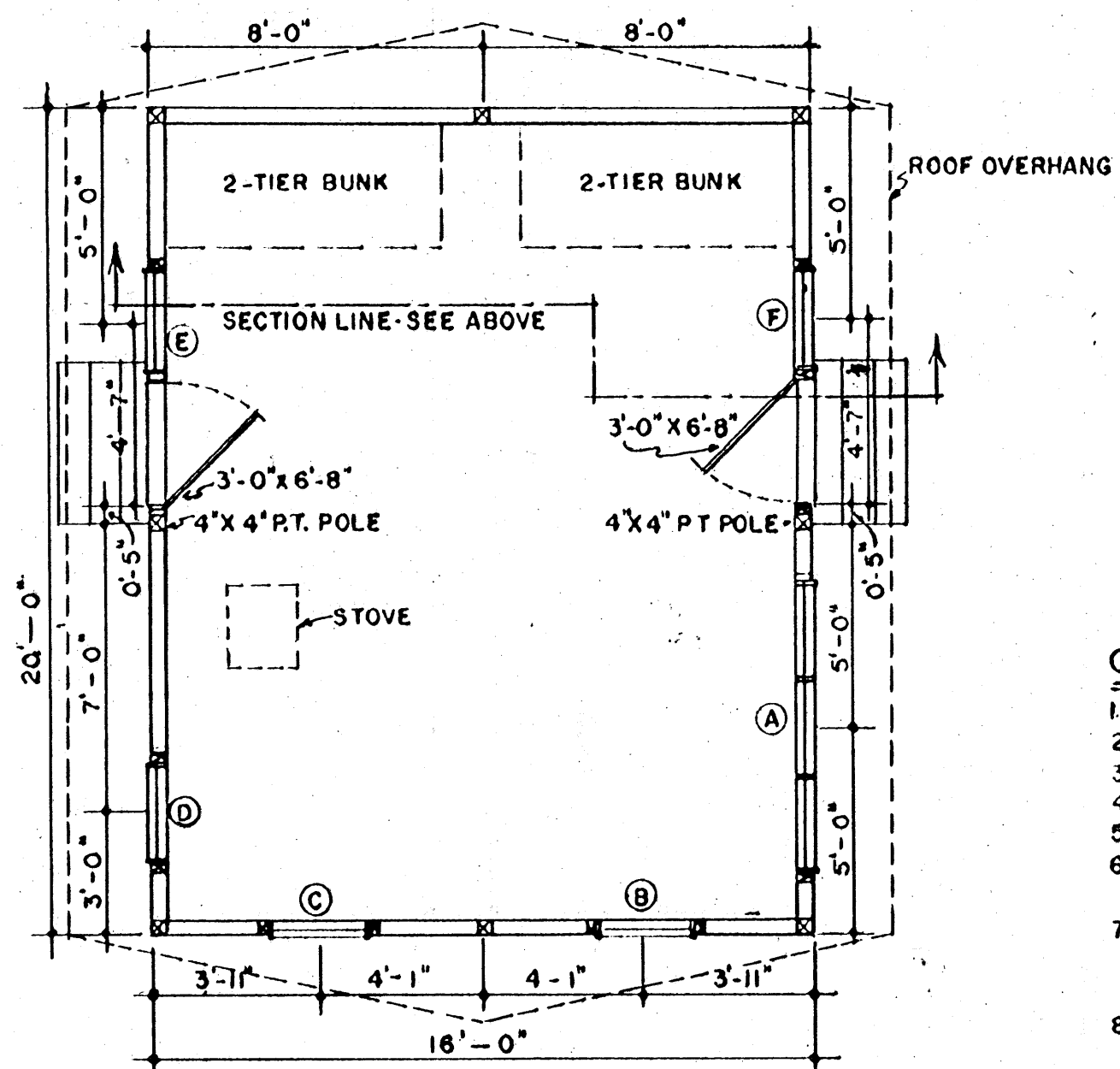
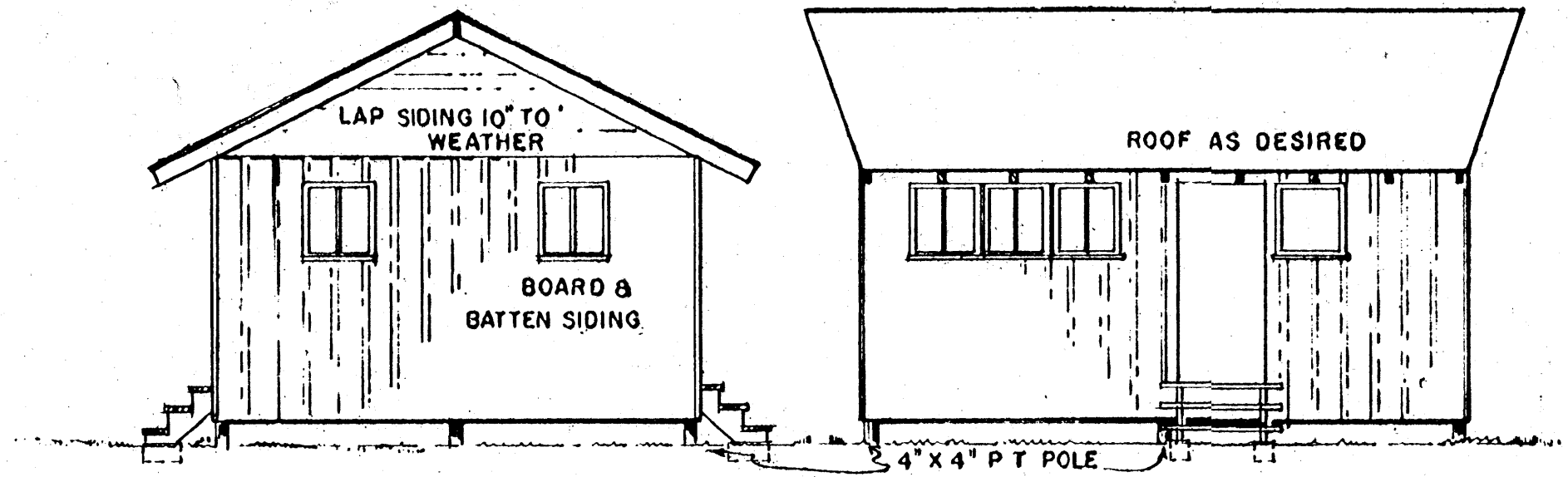


**SECTION A-A**  
SCALE — 3/8" = 1'-0"



**PLAN**  
SCALE — 1/4" = 1'-0"

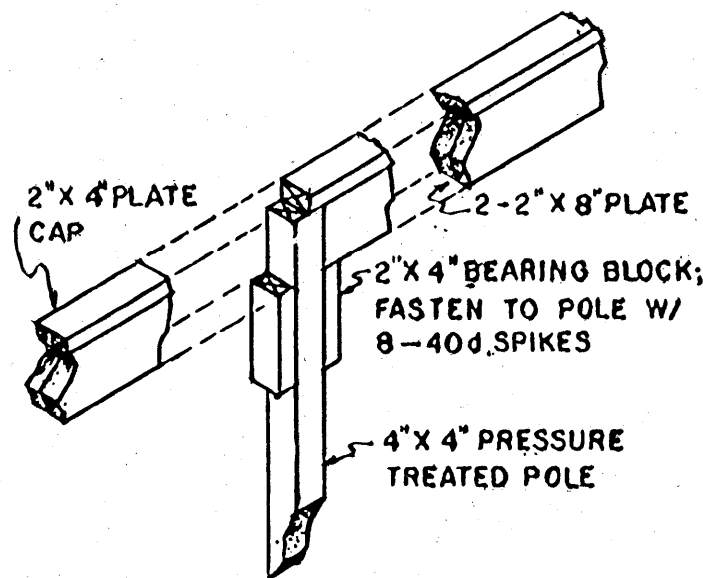


**END ELEVATION      FRONT ELEVATION**  
SCALE — 3/16" = 1'-0"

**WINDOW SCHEDULE**

WINDOW	UNIT SIZE	NO. OF UNITS
A	28" x 28"	3
B		1
C		1
D		1
E		1
F		1

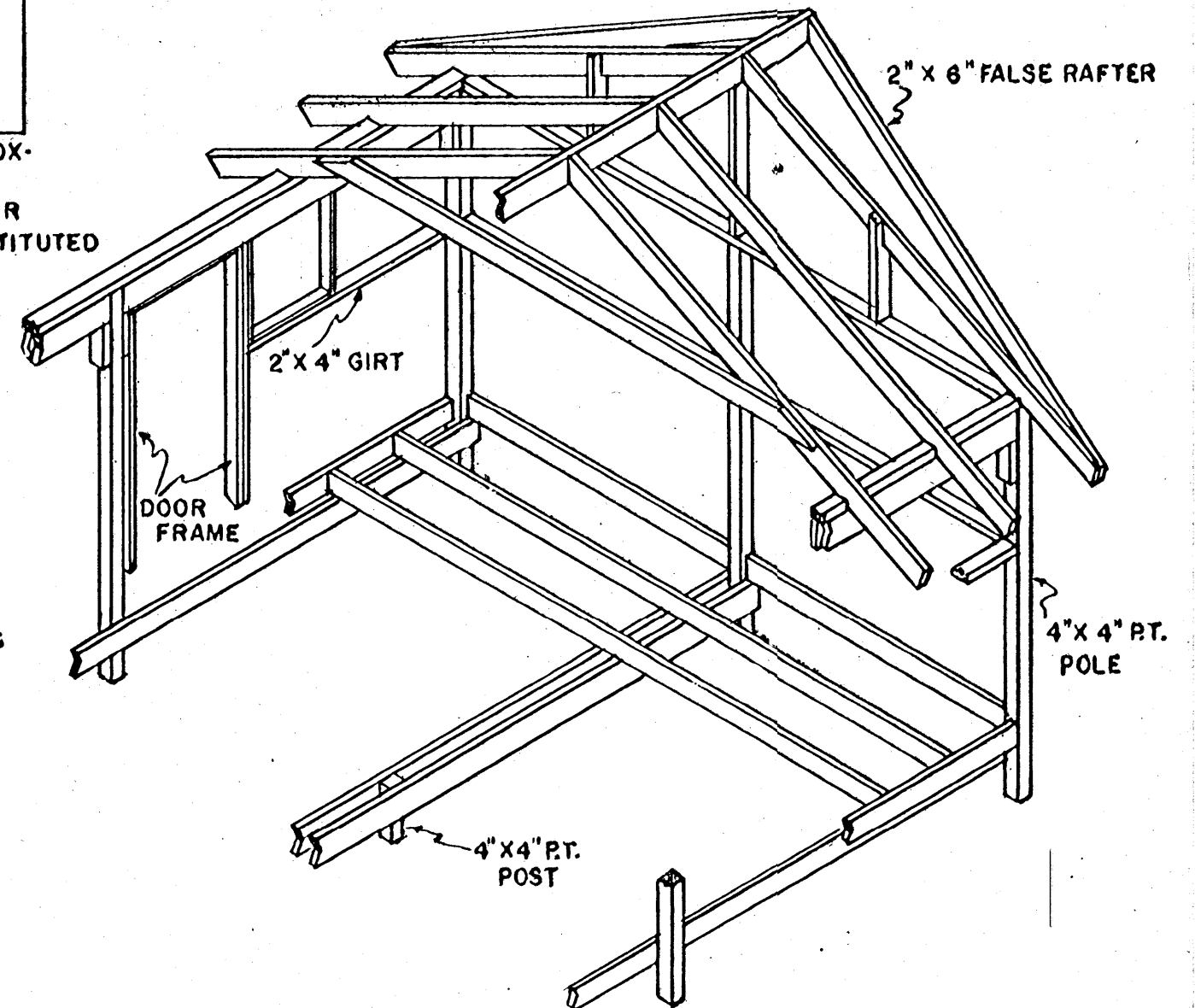
\*ALL WINDOW UNIT SIZES ARE APPROXIMATE. UNITS ARE INSWINGING & ARE HINGED AT THE TOP OTHER STYLES OR SIZES MAY BE SUBSTITUTED



**PLATE-POLE DETAIL**  
NO SCALE

**CONSTRUCTION NOTES**

- THIS DESIGN IS BASED ON THE USE OF ROUGH-SAWN EASTERN HEMLOCK
- DESIGN ROOF LOAD 40 LBS. PER SQ. FT.
- DESIGN FLOOR LOAD 40 LBS. PER SQ. FT.
- LENGTHS OF POLES ARE DEPENDENT ON SLOPE OF BUILDING SITE
- ALL FRAMING NAILS SHOULD BE HARDENED AND THREADED.
- ALL WOOD IN CONTACT WITH EARTH SHOULD BE PRESSURE TREATED WITH A PRESERVATIVE.
- ROUGH-SAWN BOARD & BATTEN SIDING WITH 10" TO 12" WIDE BOARDS & 2" TO 3" WIDE BATTENS ON THE BETWEEN-BOARD CRACKS IS ATTRACTIVE. OTHER SIDING MATERIALS MAY BE USED IF DESIRED.
- INTERIOR FINISH IS LEFT TO THE BUILDERS DISCRETION.



**FRAMING PERSPECTIVE**  
SCALE — 1/4" = 1'-0"

BASED ON UNIV. OF MASS. PLAN MC-5610

COOPERATIVE EXTENSION WORK IN  
AGRICULTURE AND HOME ECONOMICS  
STATE OF MISSISSIPPI  
MISSISSIPPI STATE UNIVERSITY  
AND  
UNITED STATES DEPARTMENT OF AGRICULTURE COOPERATING

**16' x 20' CABIN**

MASS. '66 EX. 6004 SHEET 1 OF 1