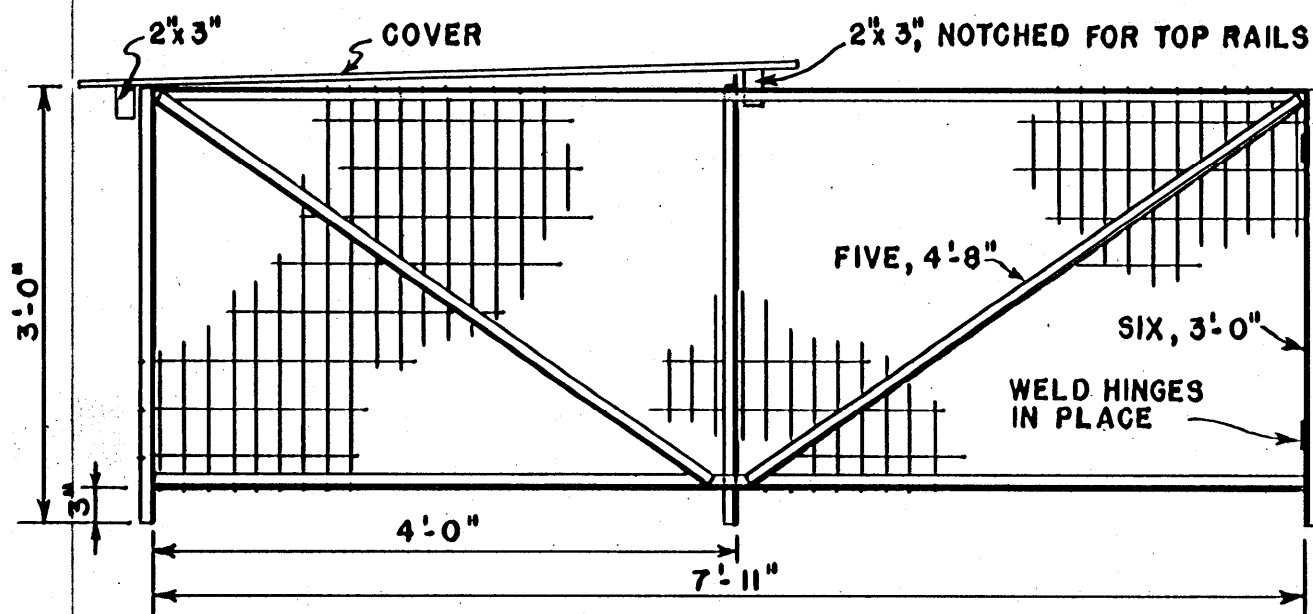
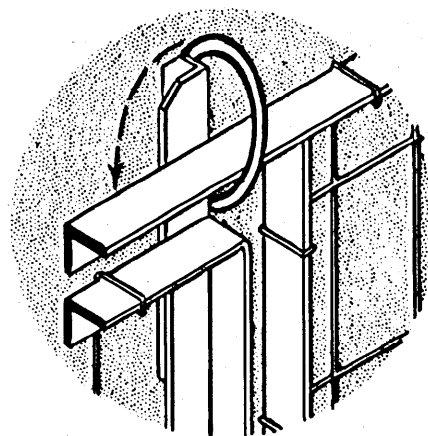


TOP

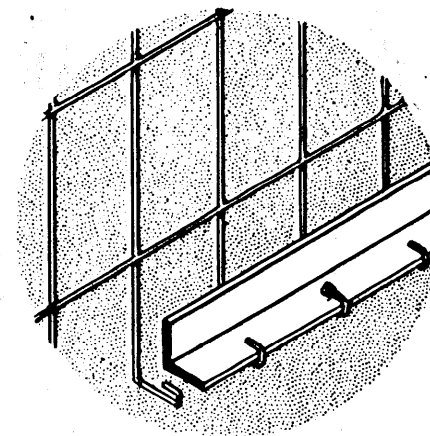


SIDE



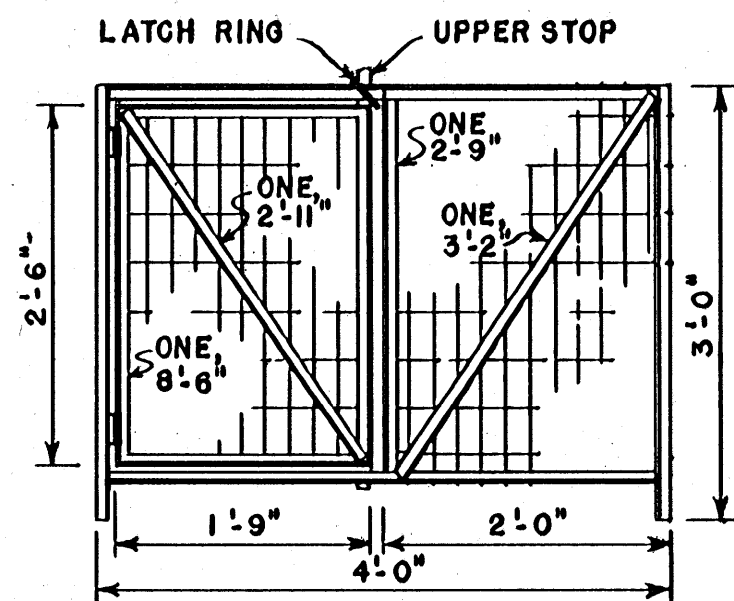
GATE LATCH DETAIL

LOOSE RING ON THE TOP RAIL SLIPS OVER THE UPPER GATE-STOP TO HOLD GATE CLOSED. INSIDE DIAMETER OF RING IS ABOUT 2 1/2"



TYPICAL DETAIL

WIRE MESH IS STRETCHED INSIDE FRAME, WIRE ENDS ARE BENT AROUND AND CLINCHED OVER THE TOP AND BOTTOM RAILS, THEN TACK WELDED AT LEAST EVERY 12". CORNER POSTS, SIMILAR.



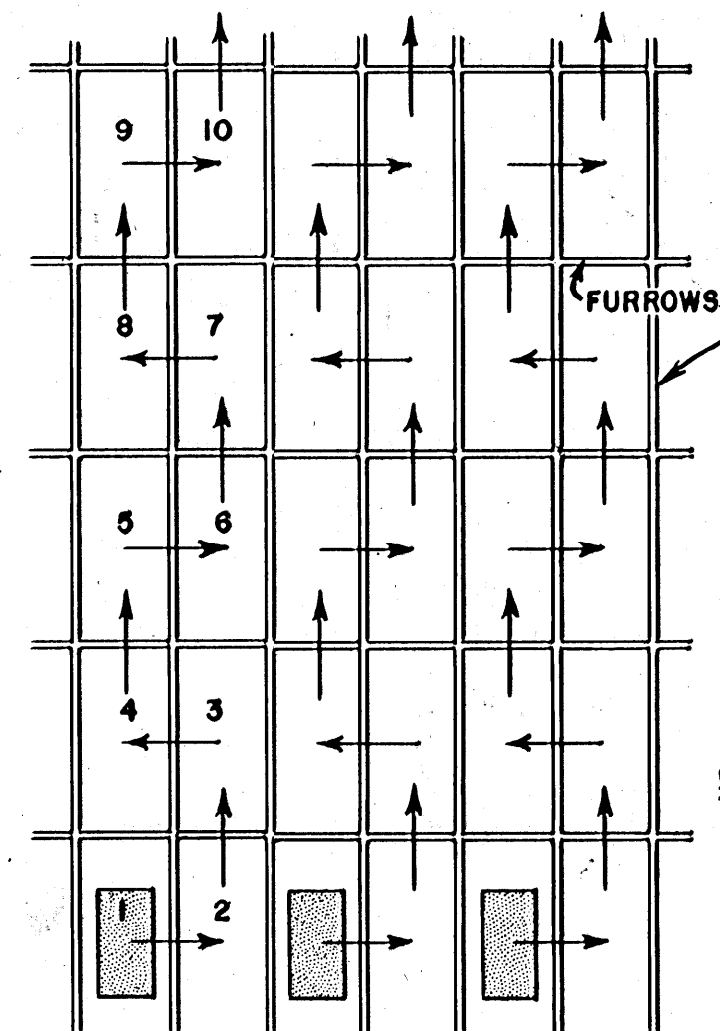
GATE END

PEN FRAMING IS ALL 1/2"x1"x1" STEEL ANGLES, WELDED. QUANTITIES AND LENGTHS OF PARTS ARE NOTED ON THE DRAWING. UPPER AND LOWER GATE STOPS ARE 6" AND 4" LONG.

AFTER ASSEMBLY, APPLY RUST-INHIBITING PAINT OR ENAMEL TO FRAME AND WIRE MESH.

WIRE MESH: 25 FT. LENGTH

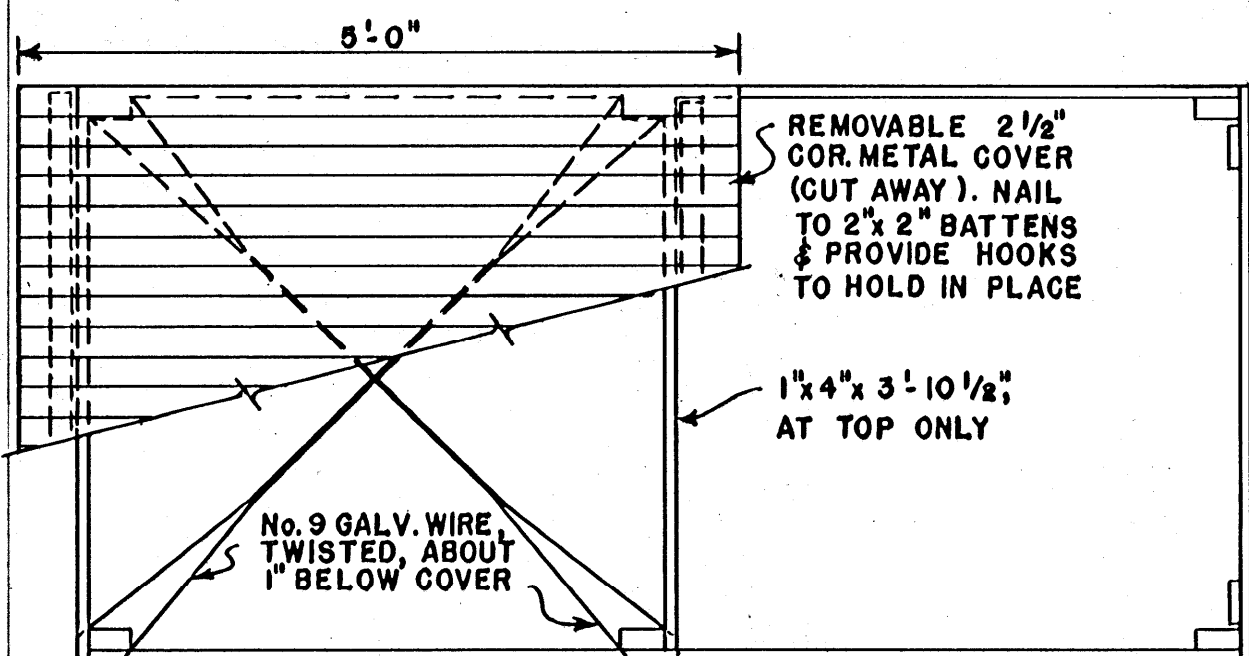
COVER IS SIMILAR TO THAT FOR WOODEN PEN, EXCEPT BATTENS ARE RIPPED FROM A 2"x6"



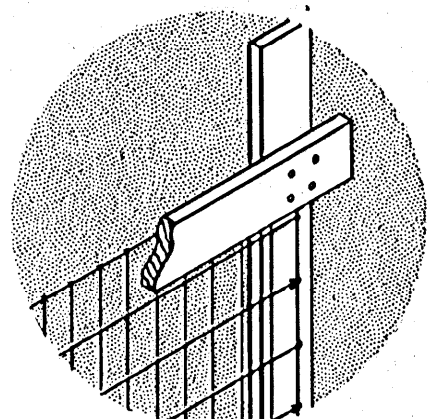
RECOMMENDED MANAGEMENT

PENS ARE MOVED TO CLEAN GROUND AT 7-DAY INTERVALS, AS SHOWN ABOVE. THE PLOWED FURROWS HELP AVOID CONTAMINATION AND IMPROVE DRAINAGE.

STEEL FRAMED PEN

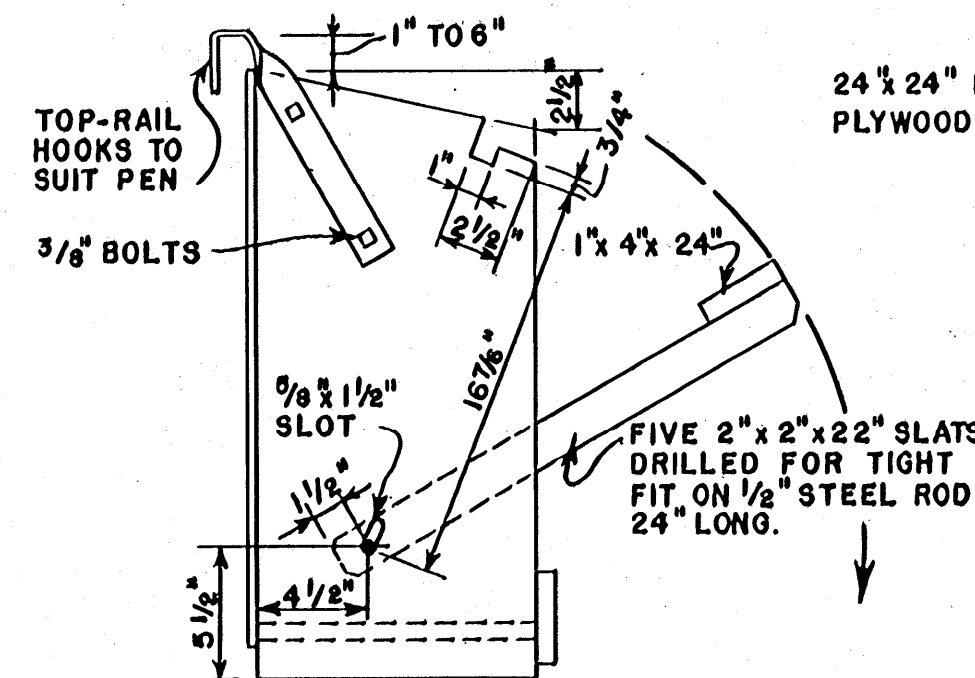


TOP



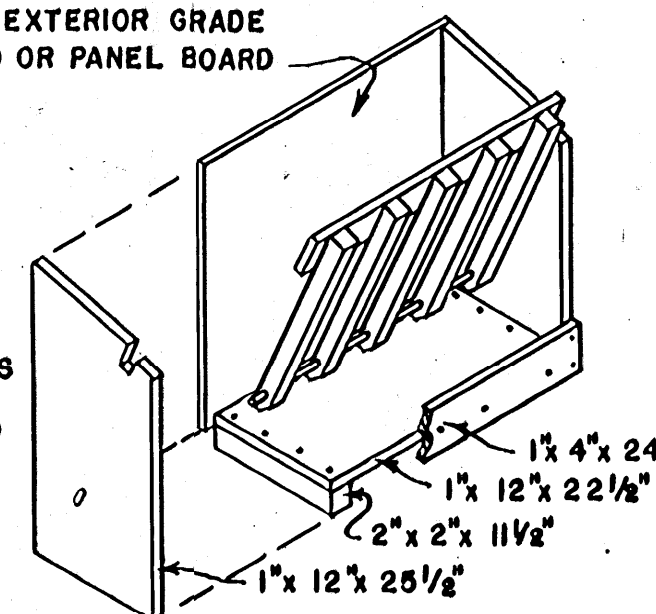
GATE PANEL DETAIL

WIRE MESH EXTENDS BETWEEN BOARDS TO SERVE AS SHIM



END

24"x24" EXTERIOR GRADE PLYWOOD OR PANEL BOARD



ASSEMBLY

FEED RACK

ALL LUMBER SHOULD BE THOROUGHLY SOAKED IN A NON-TOXIC PRESERVATIVE, SUCH AS PENTACHLOROPHENOL OR COPPER NAPHTHENATE, AFTER CUTTING.

ASSEMBLE WITH RUST-PROOF SCREWS, NAILS & STAPLES.

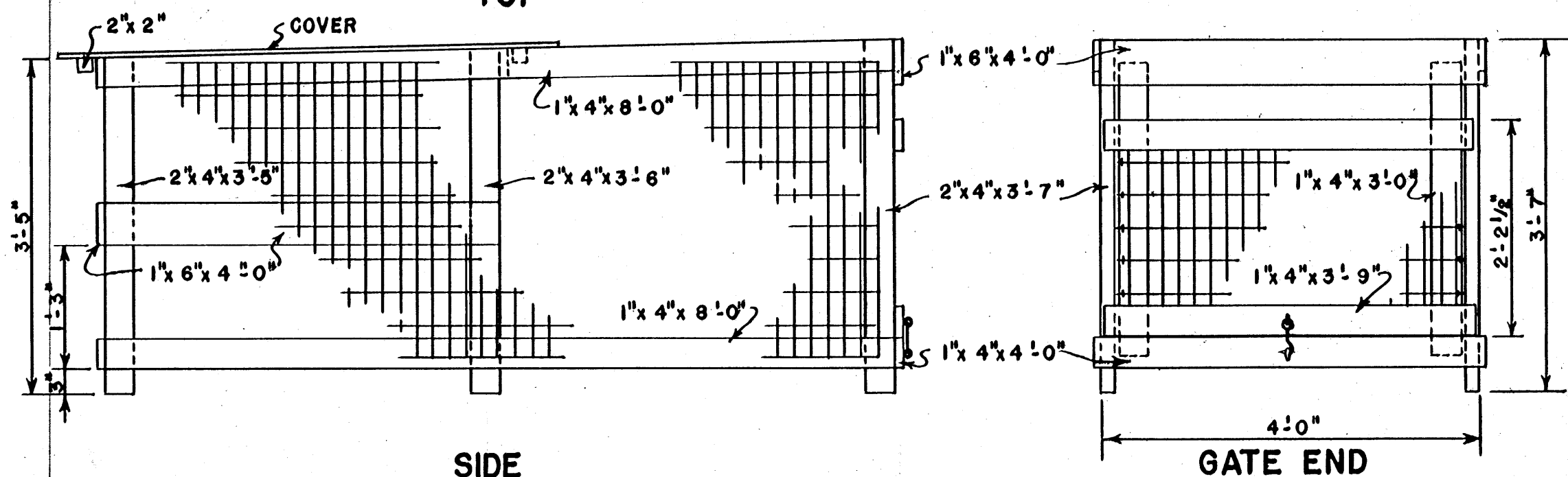
LUMBER:

- 2"x4"x7'-0" - 3 PCS
- 2"x2"x8'-0" - 1 "
- 1"x6"x8'-0" - 2 "
- 1"x4"x8'-0" - 7 "
- 1"x4"x6'-0" - 1 "

WIRE MESH: 24 FT. LENGTH

TO REMOVE GATE-PANEL, UNHOOK, LIFT UP AND PULL OUT AT THE LOWER EDGE.

WELDED WIRE MESH USED FOR BOTH PENS IS 2"x4"x12/12 36" HIGH, GALVANIZED.



SIDE

GATE END

WOOD-FRAMED PEN

COOPERATIVE EXTENSION WORK IN AGRICULTURE AND HOME ECONOMICS STATE OF MISSISSIPPI MISSISSIPPI STATE UNIVERSITY AND UNITED STATES DEPARTMENT OF AGRICULTURE COOPERATING

TWO PORTABLE CALF PENS

ALA '61 EX. 5933 SHEET 1 OF 1