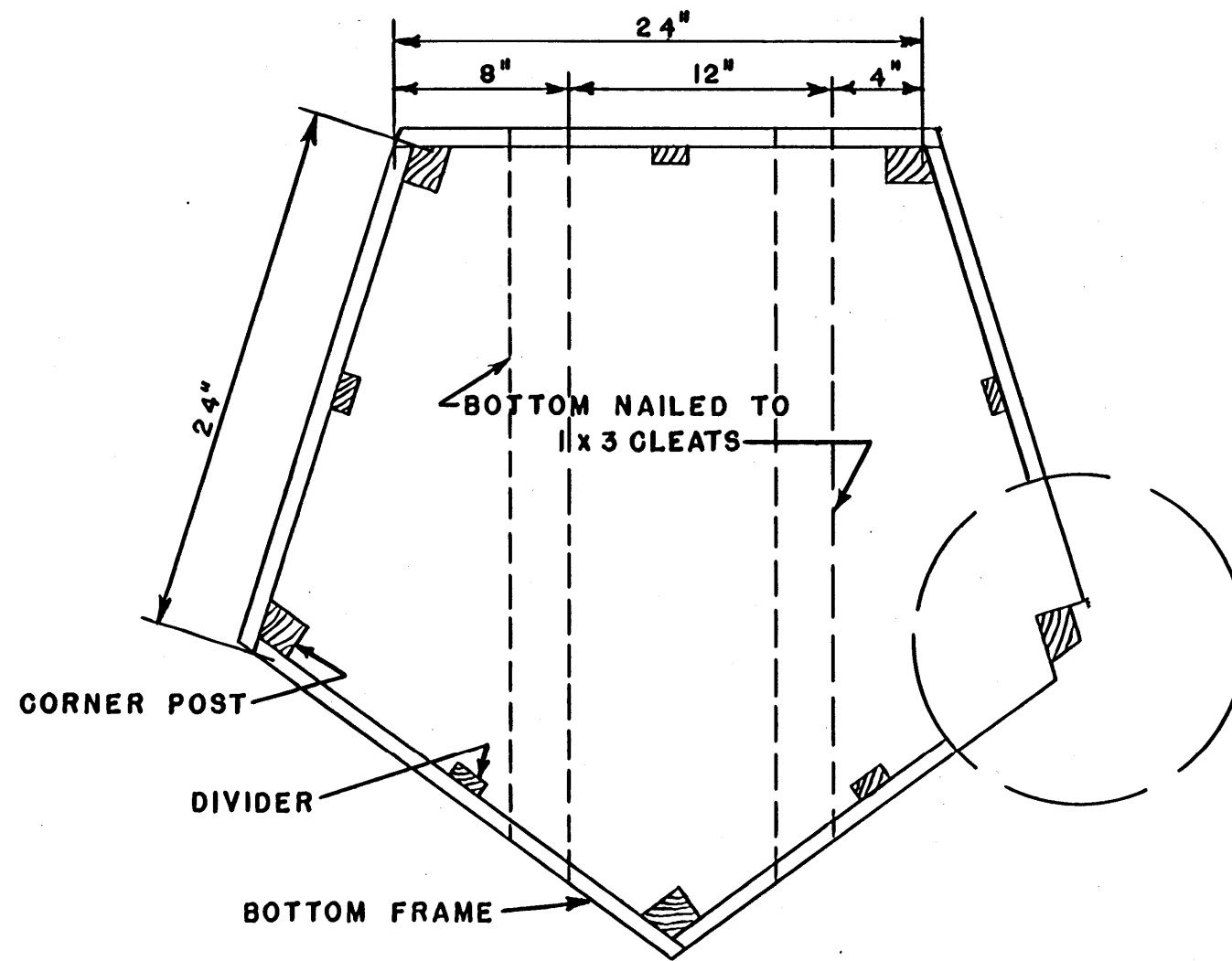
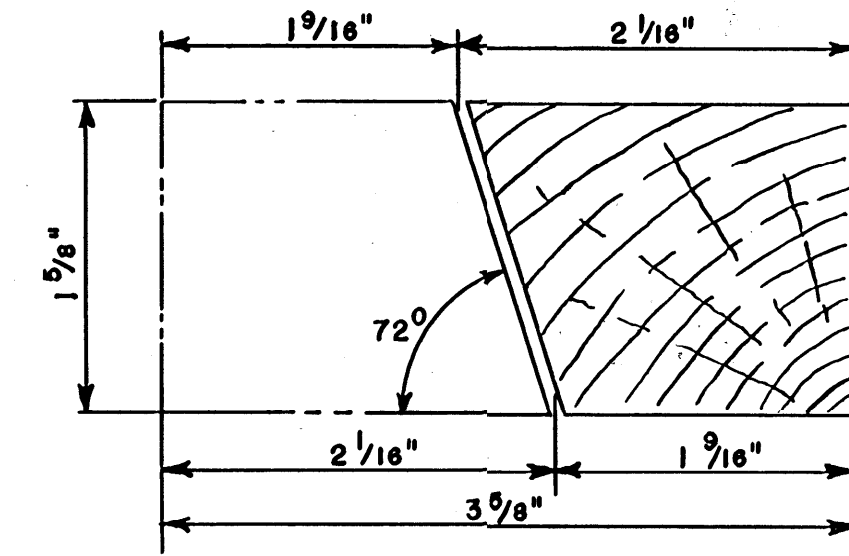


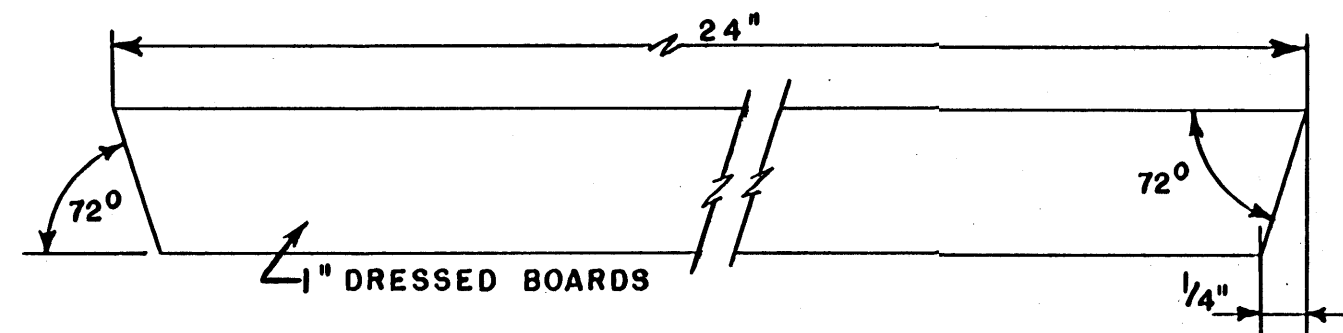
**BOTTOM PANEL**  
 1/4" TEMPERED HARDBOARD OR  
 3/8" EXTERIOR GRADE PLYWOOD



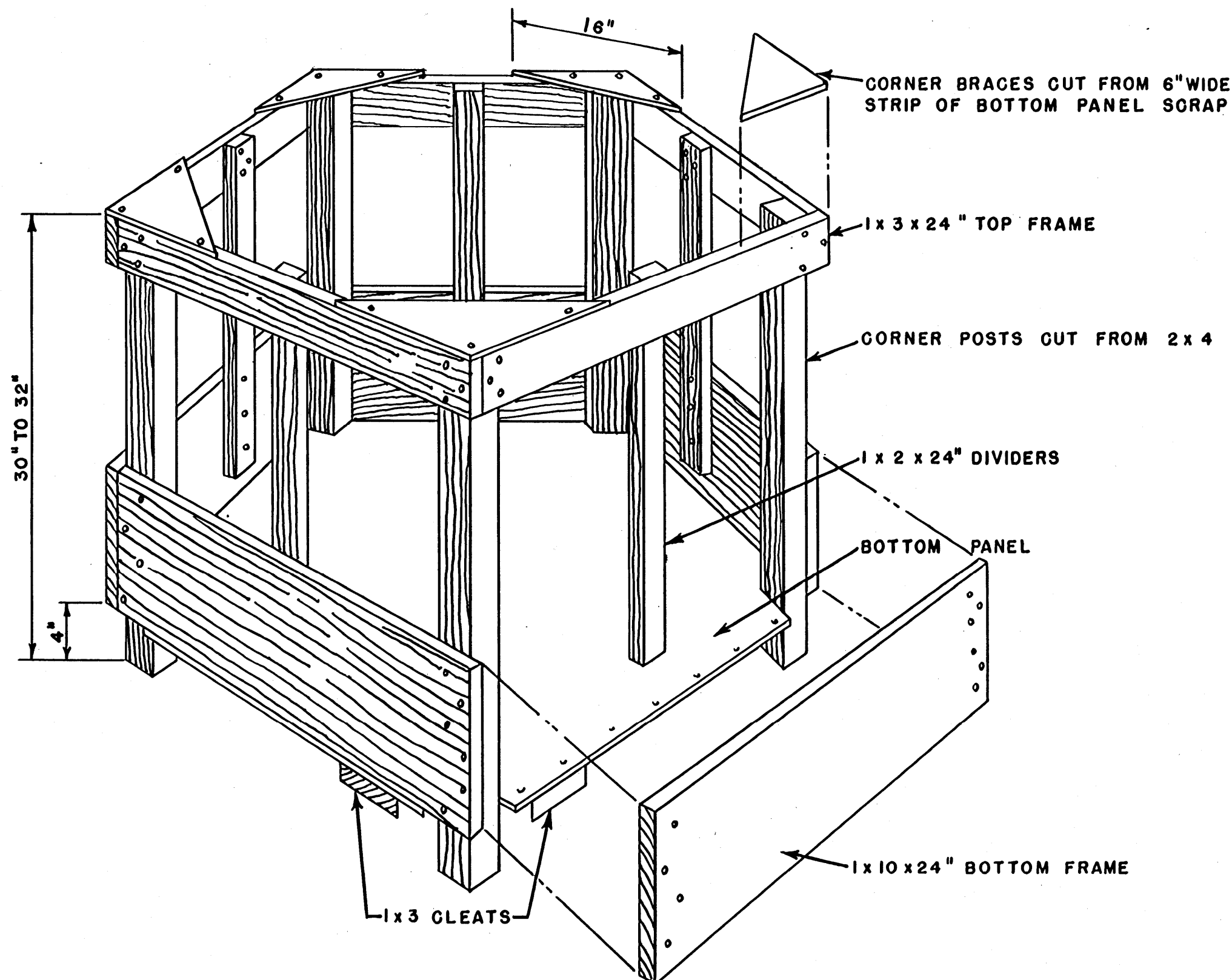
**PLAN VIEW**  
 TO SHOW ASSEMBLY  
 SCALE: 1 1/2" = 1'-0"



**CORNER POST DETAIL**  
 RIP FROM DRESSED 2 x 4  
 SCALE: FULL SIZE



**FRAME BOARD DETAIL**  
 SHOWING BEVEL END-CUT  
 SCALE: FULL SIZE



**LIST OF MATERIALS**

CORNER POSTS	ONE	2x4 x 8'-0"
BOTTOM FRAME	ONE	1x10 x 8'-0"
TOP FRAME AND BOTTOM CLEATS	ONE	1x3 x 14'-0"
DIVIDERS	ONE	1x2 x 10'-0"
BOTTOM PANEL AND CORNER BRACES	ONE	40" x 48"
NAILS (RING OR SCREW SHANK)		4d & 6d
BOX GALV		1/2"

**NOTES:**  
 FOR SMALL EWES OR LAMBS  
 SUBSTITUTE 1x6 DIVIDERS  
 AND 1x8 BOTTOM FRAME  
 BOARDS.  
 TREAT WOOD PARTS WITH  
 COPPER NAPHTHANATE OR  
 PENTACHLOROPHENOL.

COOPERATIVE EXTENSION WORK IN  
 AGRICULTURE AND HOME ECONOMICS

AND  
 UNITED STATES DEPARTMENT OF AGRICULTURE COOPERATING

**HAY & GRAIN FEEDER**  
 FOR 10 SHEEP

USDA '60 EX. 5910 SHEET 1 OF 1