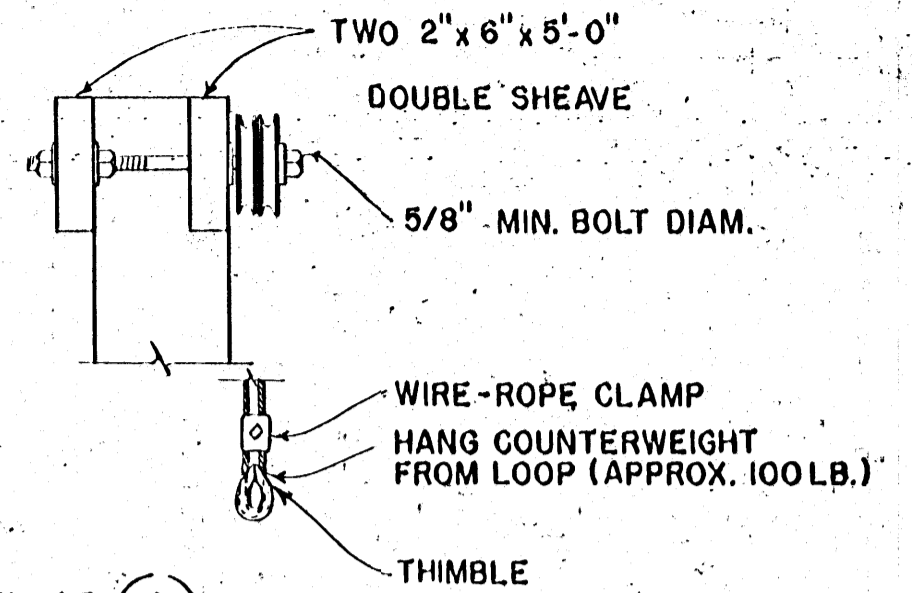
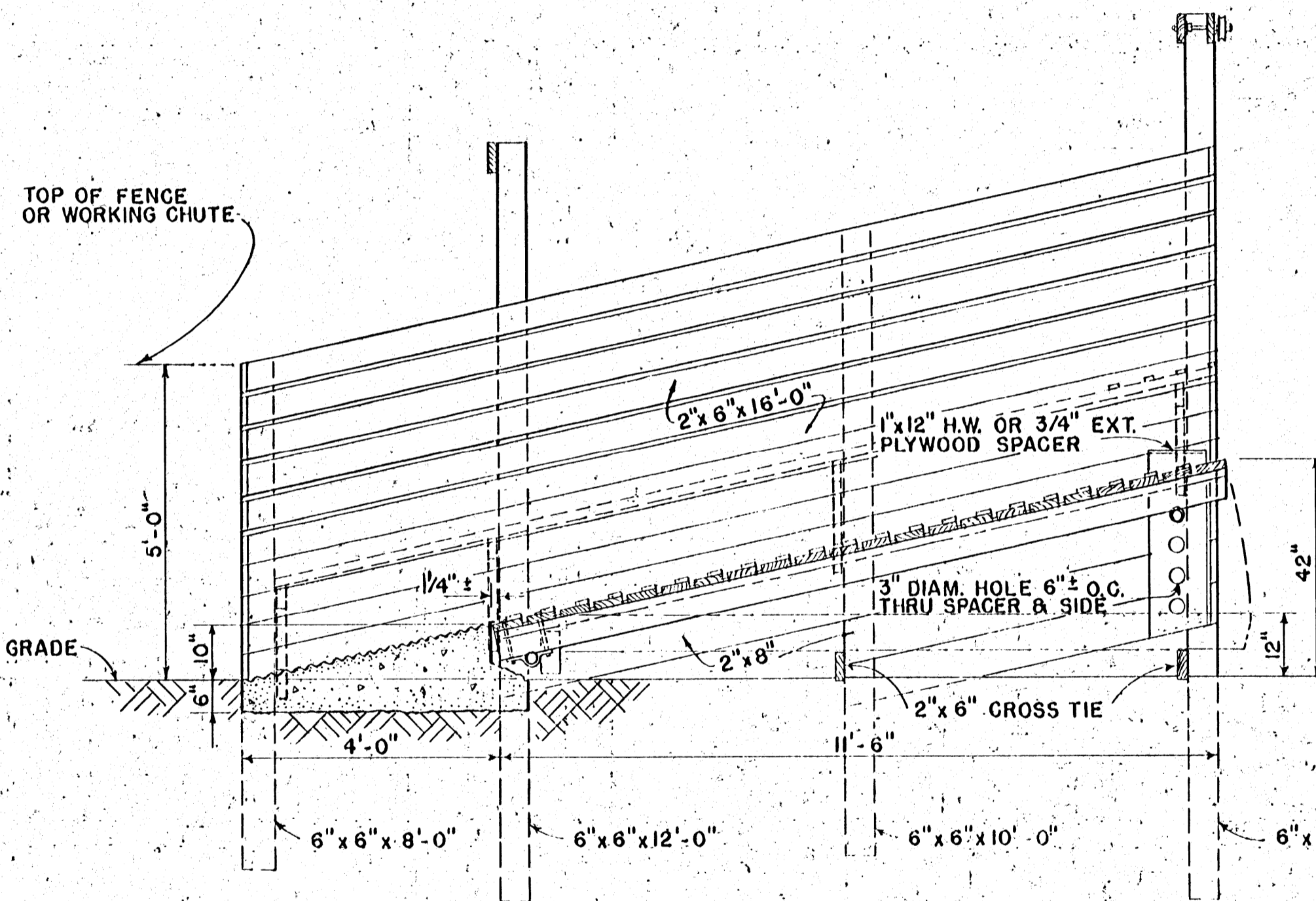


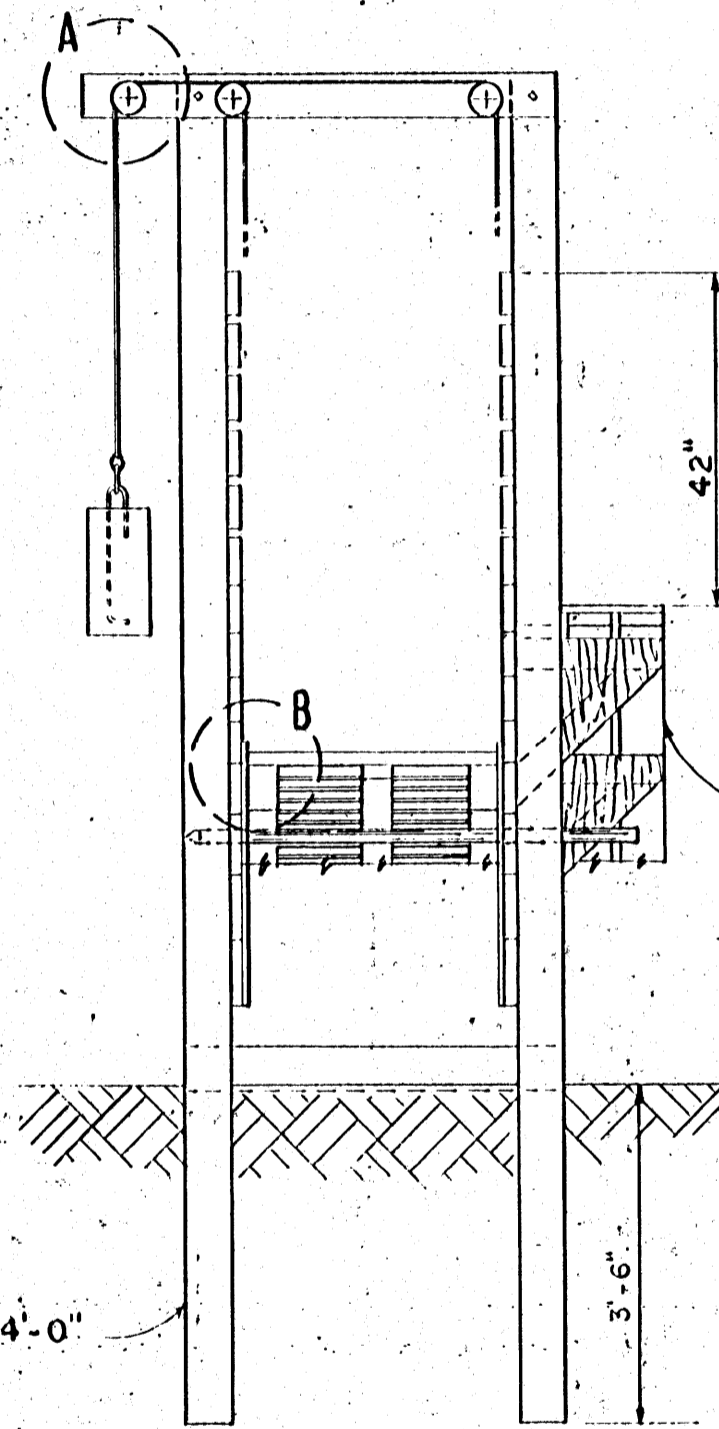
PLAN
(HINGED RAMP NOT SHOWN)



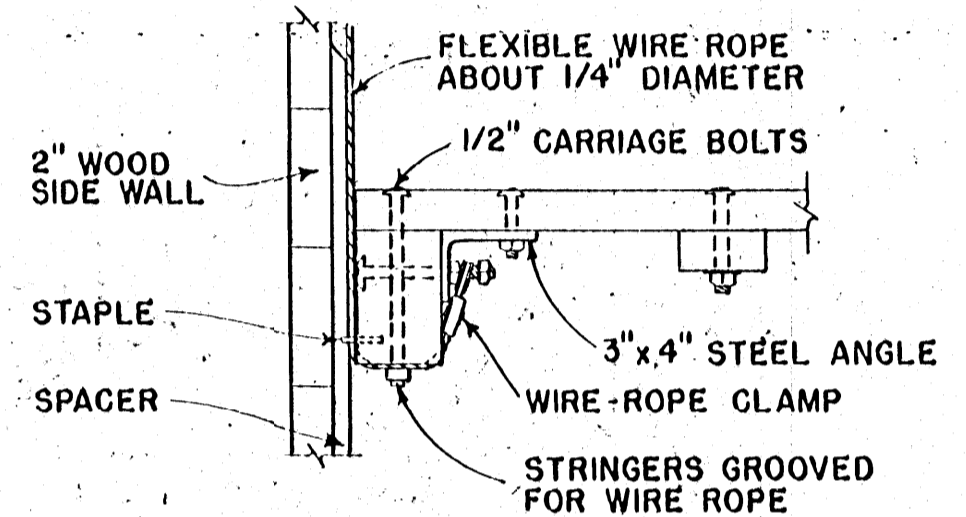
DETAIL AT A
SCALE: 1/2" = 1'-0"



LONGITUDINAL SECTION



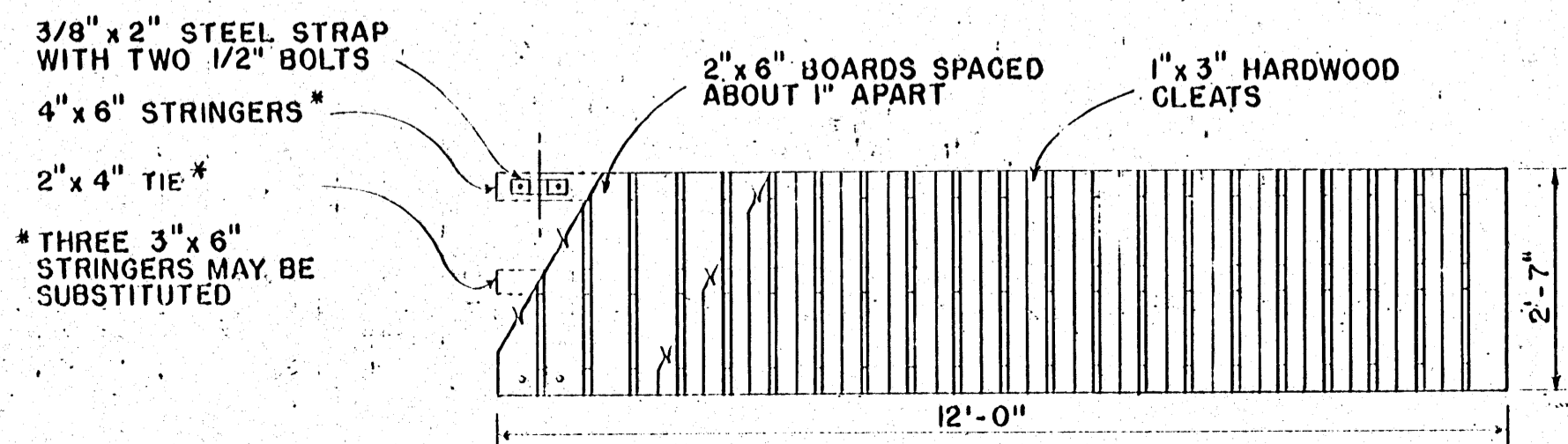
END ELEVATION



DETAIL AT B

NOTE: ALL WOOD SHOULD BE PRESSURE-TREATED WITH PRESERVATIVE.
DIMENSIONS SHOWN ARE BASED ON THE USE OF DRESSED LUMBER.

SCALE: 1/2" = 1'-0", EXCEPT AS NOTED



PLAN OF HINGED RAMP

| | | |
|--|----------|--------------|
| COOPERATIVE EXTENSION WORK IN AGRICULTURE AND HOME ECONOMICS | | |
| STATE OF MISSISSIPPI | | |
| MISSISSIPPI STATE UNIVERSITY | | |
| AND UNITED STATES DEPARTMENT OF AGRICULTURE COOPERATING | | |
| VARIABLE-HEIGHT LOADING CHUTE FOR CATTLE | | |
| USDA '57 | EX. 5852 | SHEET 1 OF 1 |