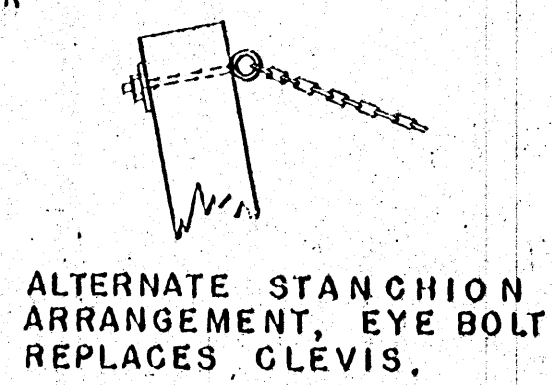
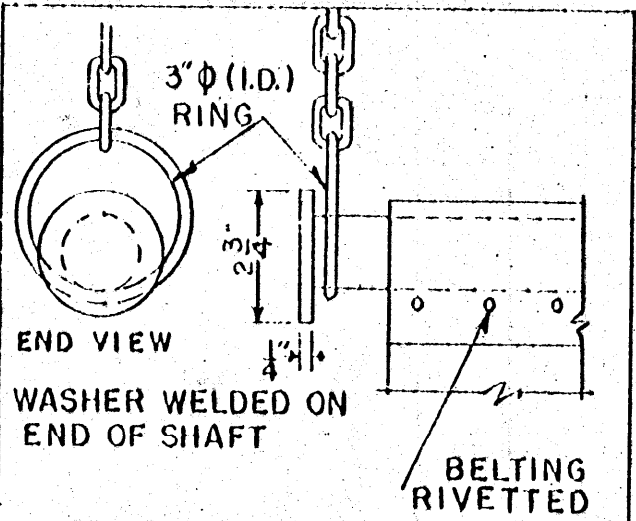


NOTE :-  
 OMIT ROOF ON PORTABLE STOCK.  
 IF ROOF IS USED, ALSO USE POSTS SUNK IN GROUND AS SHOWN.  
 ALL TIMBER IN CONTACT WITH EARTH SHOULD BE PRESSURE TREATED WITH PRESERVATIVE.  
 USE CARRIAGE BOLTS WHEREVER PRACTICABLE TO PREVENT INJURY.

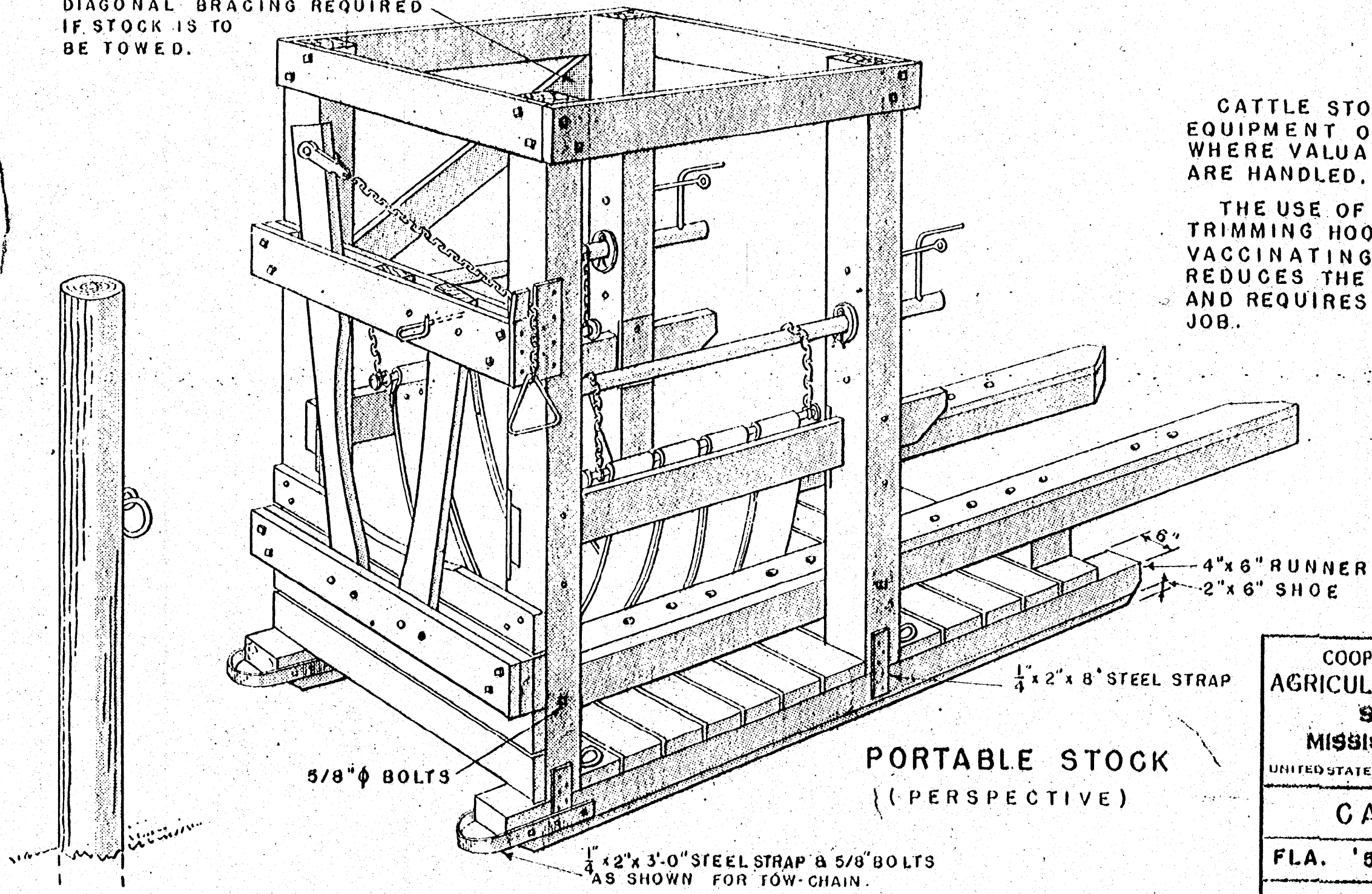


STATIONARY STOCK  
 SCALE 1/2" = 1'-0"

USE OF THE CATTLE STOCK

1. PLACE ANIMAL IN STOCK AND CLOSE STANCHION.
2. TIE HALTER ROPE TO POST IN FRONT OF STOCK.
3. PULL BELT SLING UNDER ANIMAL AND USE EITHER CRANK TO TAKE SOME WEIGHT OFF ANIMAL'S FEET. DO NOT RAISE ANIMAL'S FEET FROM FLOOR.
4. USING AN 8 FOOT LENGTH OF 1/2" ROPE, PLACE A LOOP AROUND THE PASTERN JOINT (BETWEEN ANKLE AND HOOF) OF ONE FOOT WITH ROPE EXTENDED TOWARD FRONT.
5. PULL FOOT BACK AND UP UNTIL IT RESTS INVERTED ON TRIMMING RAIL.
6. PULL ROPE DOWN THRU NEAREST HOLE, MAKE SEVERAL LOOPS AROUND RAIL AND PASTERN. FOOT IS NOW SECURED, SOLE UP, READY TO TRIM.
7. WHEN TRIMMING REAR FEET OF STRUGGLING ANIMAL PLACE A LONG ROPE AROUND INSIDE OF LEG BEING WORKED, BRING BOTH ENDS OVER BACK AND PULL FORWARD. THIS TENSION WILL PREVENT STRUGGLING.
8. TIE RINGS PROVIDED MAY BE USED FOR OTHER FEET IF NECESSARY.

DIAGONAL BRACING REQUIRED IF STOCK IS TO BE TOWED.



CATTLE STOCKS ARE IMPORTANT EQUIPMENT ON FARMS AND RANCHES WHERE VALUABLE PUREBRED ANIMALS ARE HANDLED.

THE USE OF SUCH EQUIPMENT IN TRIMMING HOOFS AND HORNS, OR IN VACCINATING OR TREATING CATTLE REDUCES THE CHANCES OF INJURY, AND REQUIRES LESS LABOR FOR EACH JOB.

PORTABLE STOCK  
 (PERSPECTIVE)

COOPERATIVE EXTENSION WORK IN AGRICULTURE AND HOME ECONOMICS  
 STATE OF MISSISSIPPI  
 MISSISSIPPI STATE UNIVERSITY  
 AND  
 UNITED STATES DEPARTMENT OF AGRICULTURE COOPERATING

**CATTLE STOCK**

FLA. '54 EX. 5784 SHEET 1 OF 1