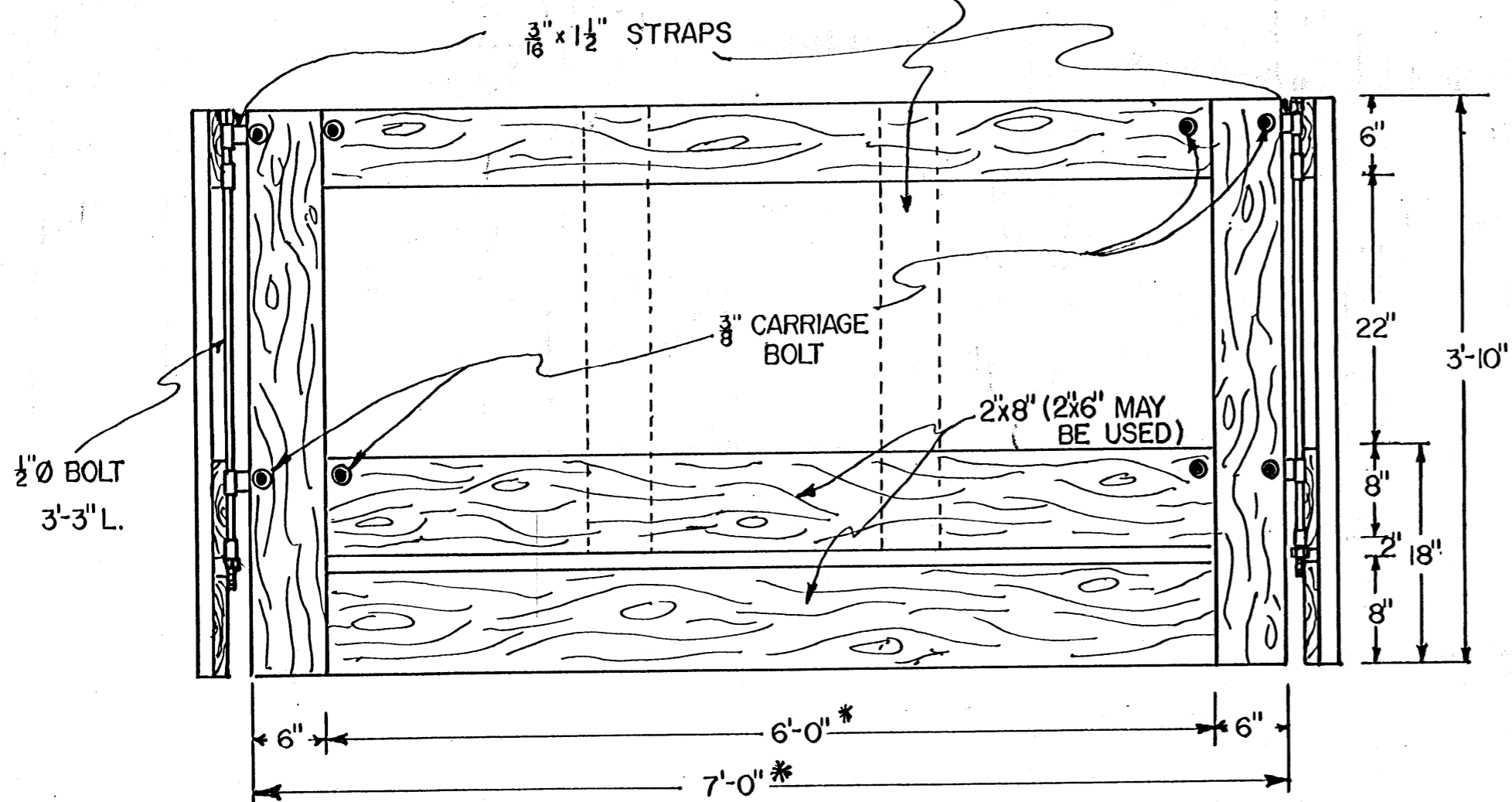
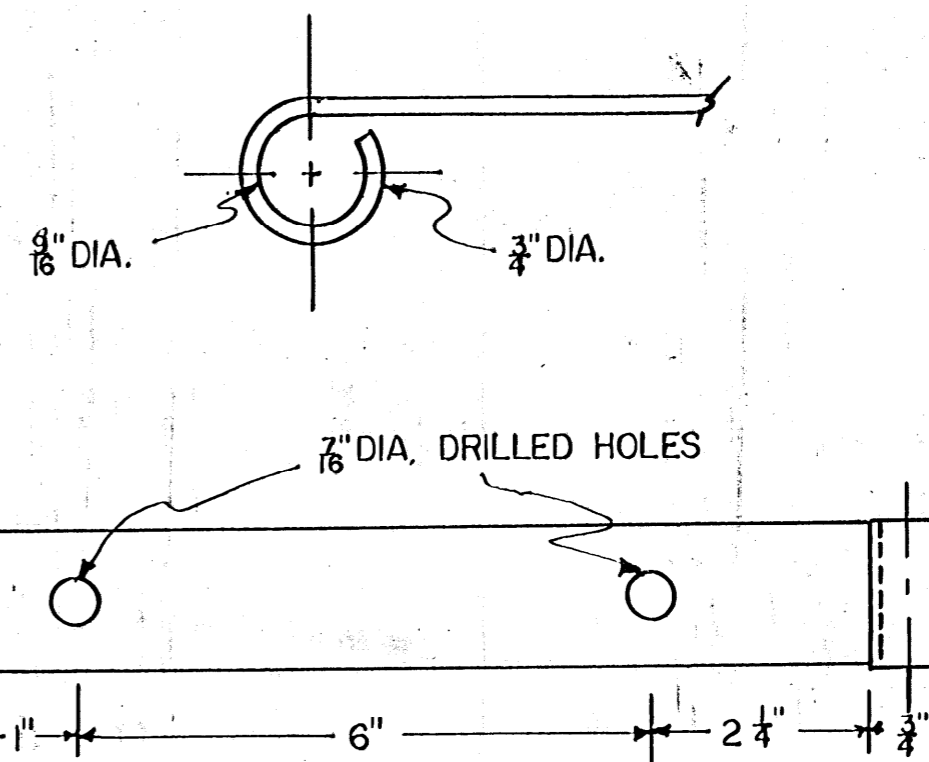
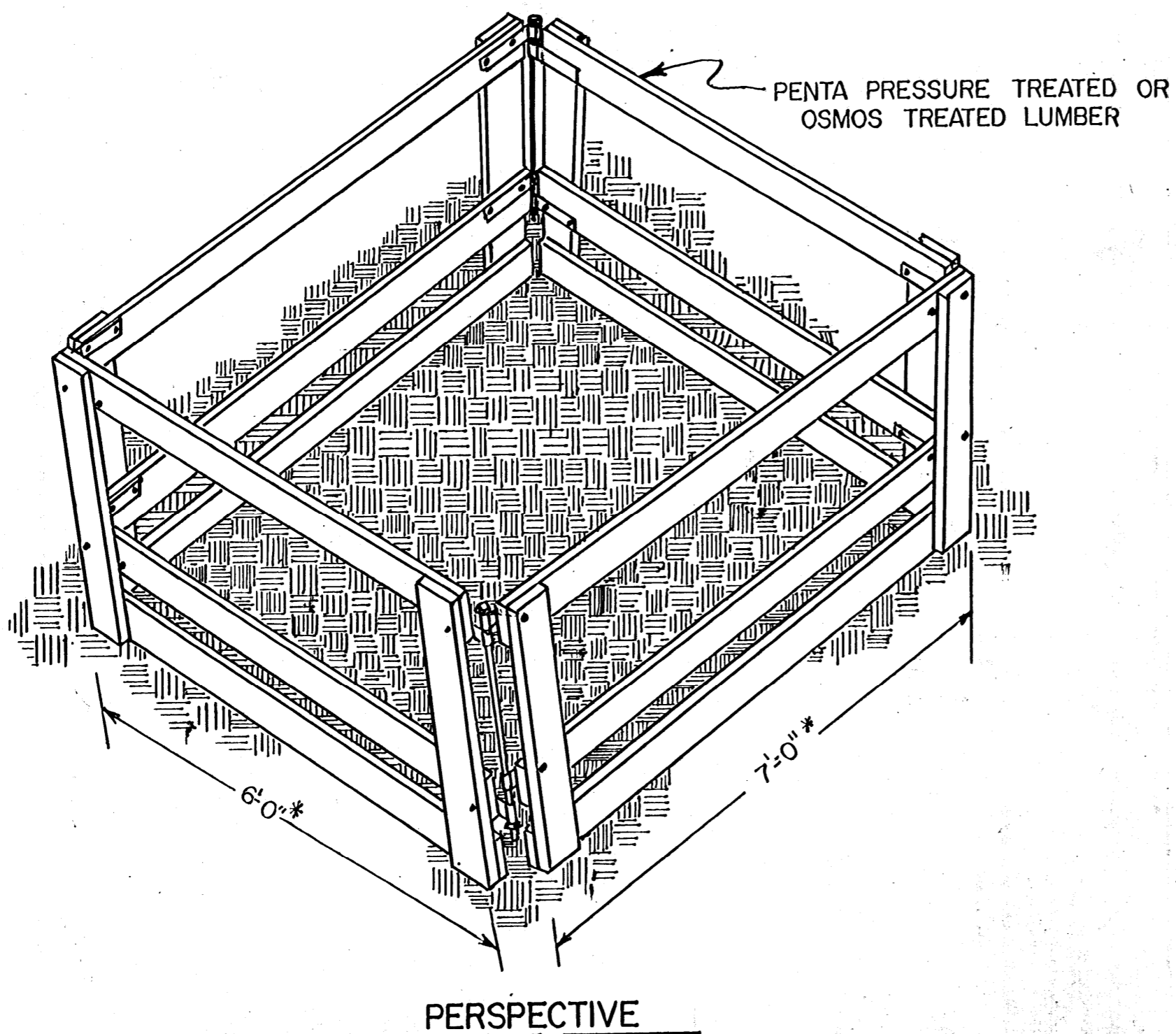


VERTICLE BOARDS INSTALLED ON RACKS
WILL PREVENT SOME WASTAGE



ELEVATION
SCALE 1" = 1'-0"

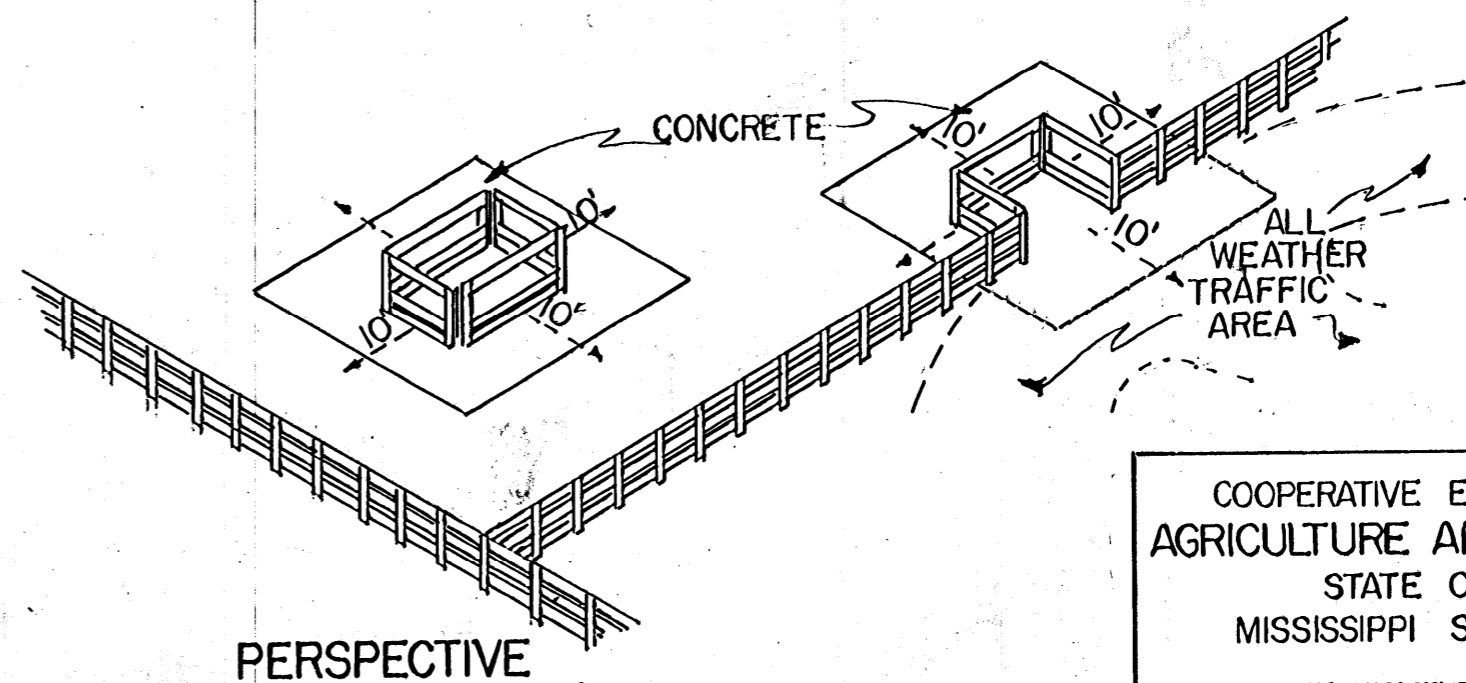


DETAIL OF STRAP
SCALE 1/2" = 1"

* DIMENSIONS MAY VARY DEPENDING
ON TYPE OF BALE OR STACK TO BE
USED. (SEE NOTE 1.)

NOTE 1. THE GENERAL GUIDE USED FOR
FEEDING RACK IS AS FOLLOWS—

TYPE OF PACKAGE	SIZE OF PACKAGE	SIZE OF RACK
HAWK BILT MOD.480	6'DIA. - 7'LONG	7'W. x 8'L.
VERMEER MOD.605	6'DIA. - 7'LONG	6'W. x 7'L.
HESSTON MOD.10	7'W. - 8'L. - 8'HT.	8'W. x 9'L.
NEW HOLLAND MOD.850	5 1/2' DIA. - 5 1/2' L.	6 1/2' W. x 6 1/2' L.



COOPERATIVE EXTENSION WORK IN
AGRICULTURE AND HOME ECONOMICS
STATE OF MISSISSIPPI
MISSISSIPPI STATE UNIVERSITY
AND
UNITED STATES DEPARTMENT OF AGRICULTURE COOPERATING

BIG HAY PACKAGE
FEED RACK

MISS. '74 5772-B SHEET 1 OF 1