

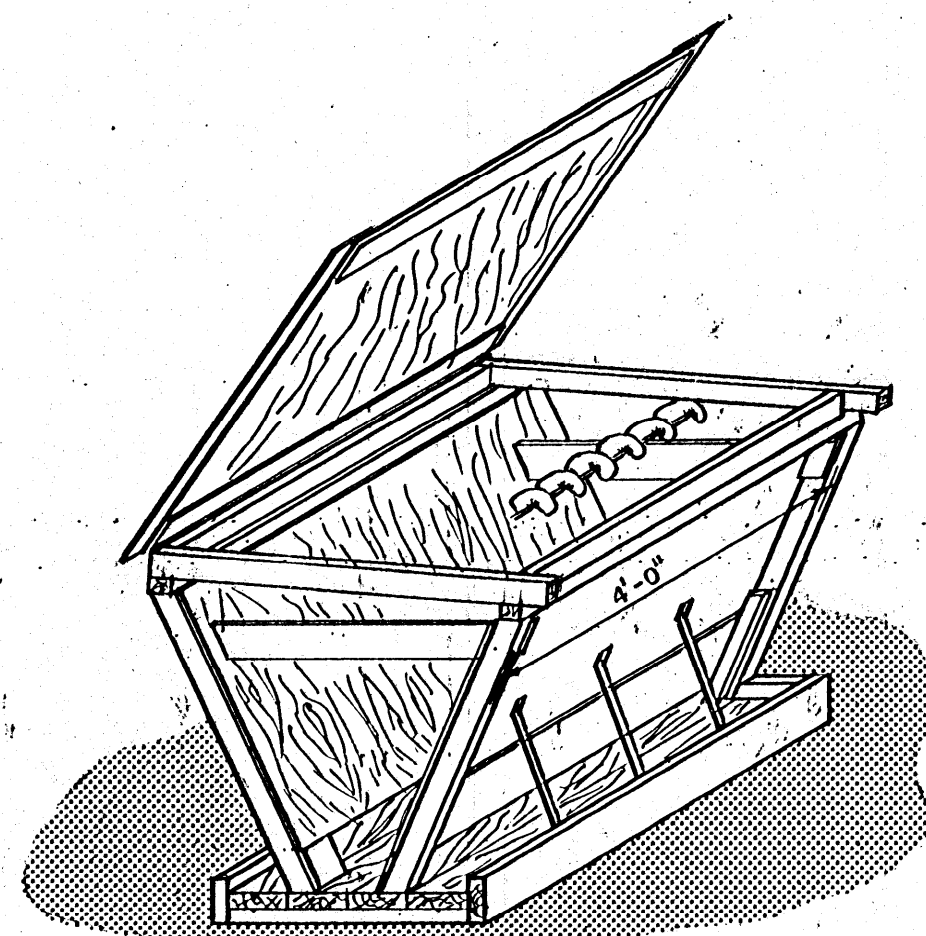
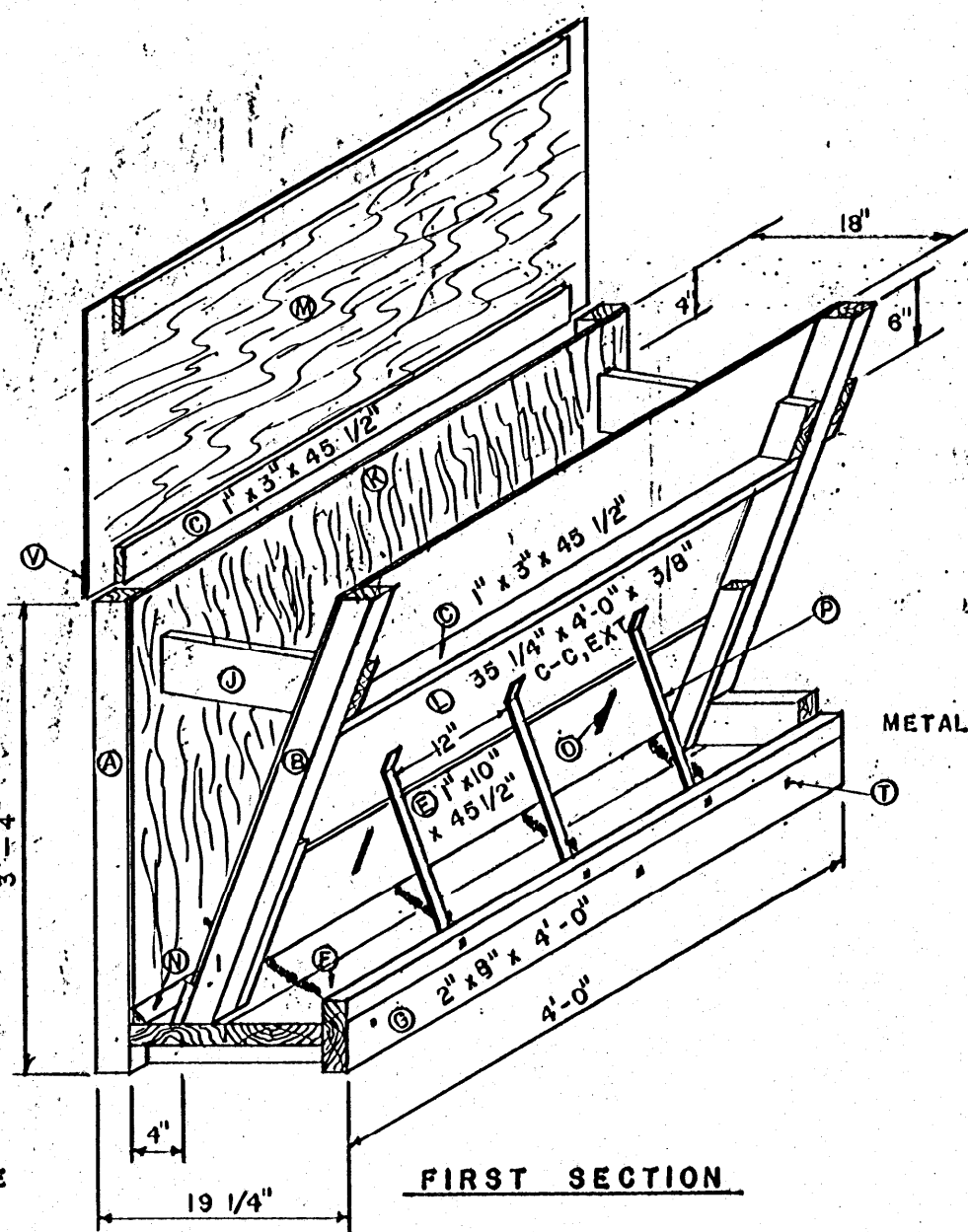
CUTTING LIST

ITEM	DESCRIPTION	NUMBER	
		FIRST SECTION	ADD. SECTION
A	2" x 3" x 3'-4"	2	1
B	2" x 3" x 3'-8"	2	1
C	1" x 3" x 3'-9 1/2"	4	4 - 48 3/8"
D	1" x 2" x 18"	2	2
E	1" x 10" x 3'-9 1/2"	1	1 - 48 3/8"
F	2" x 8" x (NOTE)	2	2
G	2" x 8" x (NOTE)	1	1
H	2" x 2" x 17 5/8"	2	2
I	1" x 4" x 5"	2	3
J	1" x 4" x 22"	2	1
K,L,M	4"x8" x 3/8" C-C, EXT. (PLYWOOD)	1SHT.	1SHT.
N	2" x 2" x 24"	1	1
O	ASSEMBLIES	2	2
P	1/4" x 3/4" x 18" STRAP	3	3
Q	5/16" x 1" BOLT	3	3
R	5/16" x 2" BOLT	3	3
S	3/8" x 3 1/2" BOLT	4	2
T	3/8" x 4" LAG SCREW	3	3
U	6" T-HINGE	1	1
V	6" STRAP HINGE	1	0

LAST SECTION, 48 1/2". CLOSE ENDS.

NOTE: USE 12" TO 20" BOARDS FOR MEMBERS F & G. (4'-0" PER SECTION)

NOTE: LID OPTIONAL



CUTTING LIST

ITEM	DESCRIPTION	NUMBER	
		FIRST SECTION	ADD. SECTION
A	2" x 3" x 4'-0"	2	1
B	2" x 3" x 39 1/2"	2	2
C	2" x 3" x 42 1/2"	2	1
D	2" x 3" x 46 3/8"	2	2
E	2" x 8" x 49 5/8"	4 (NOTE)	4-48"
F	2" x 8" x 49 5/8"	2 (NOTE)	2-48"
G	1" x 4" x 3'-6"	2	1
H	1" x 3" x 46 3/8"	2	2
I	3/8" x 8" x 4'-0" (PLYWOOD)	5	0
J	BUTT HINGES (4")	2	2
K	2" x 3" x 49 5/8"	2 (NOTE)	2
L	3'-3" x 4'-0" x 3/8" (PLYWOOD)	1	1
M	2'-9" x 4'-0" x 3/8" (PLYWOOD)	1	1
N	1" x 4" x 5"	4	4
O	1" x 10" x 46 3/8"	2	2
P	1" x 2" x 15"	4	4
Q	1/4" x 3/4" x 18" METAL BAR	6	6
R	5/16" BOLT	6	6
S	3/8" BOLT	4	2
T	1 1/2" x 24-GAGE x	4	2
U	5 5/8" x 24-GAGE	2	2
V	4'-0" x 4'-0" x 3/8" (PLYWOOD)	1	1
W	PROVIDE PLYWOOD FOR ENDS	2	0
X	2" x 2" x 30"	2	2

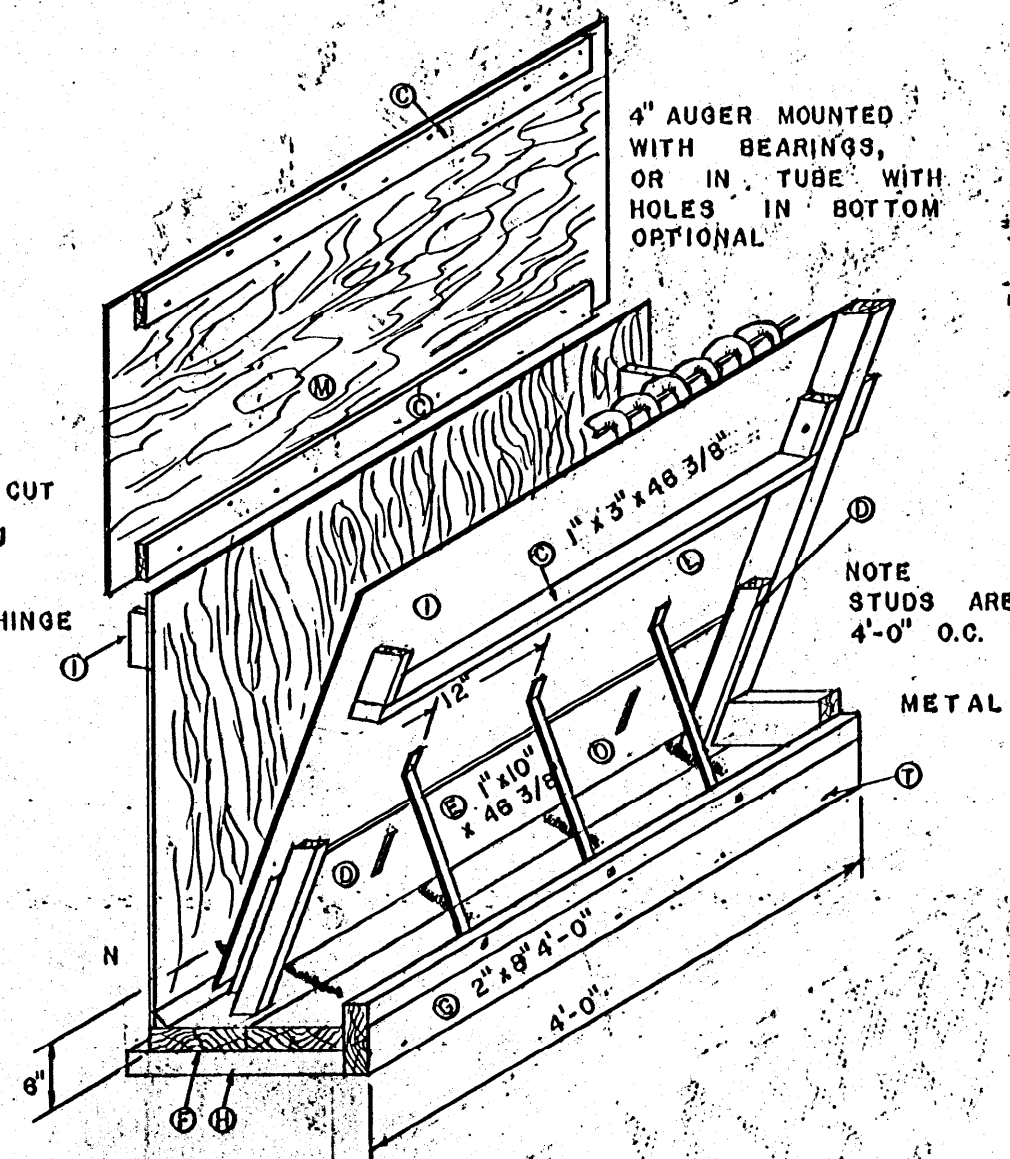
NOTE: USE 12" TO 20" BOARDS FOR MEMBERS E, F, & K. (4'-0" PER SECTION)

ITEM	DESCRIPTION	NUMBER	
		FIRST SECTION	ADD. SECTION
A	2" x 3" x 4'-0"	2	1
B	2" x 3" x 39 1/2"	2	2
C	2" x 3" x 42 1/2"	2	1
D	2" x 3" x 46 3/8"	2	2
E	2" x 8" x 49 5/8"	4 (NOTE)	4-48"
F	2" x 8" x 49 5/8"	2 (NOTE)	2-48"

NOTE: IT IS PREFERABLE TO HAVE FILLING AUGER OVERHEAD AND USE DOWN SPOUTS WITH CUTOFFS TO FILL THE FEEDERS.

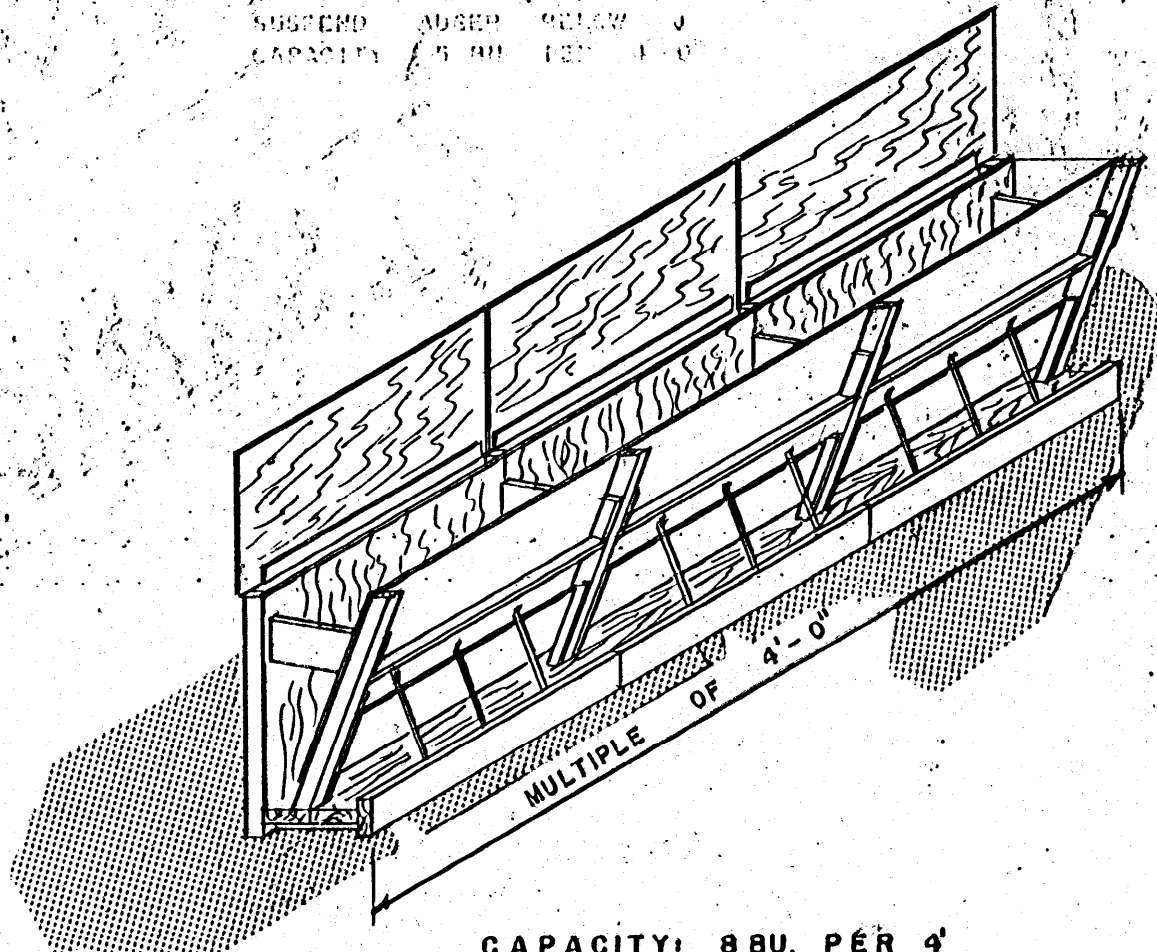
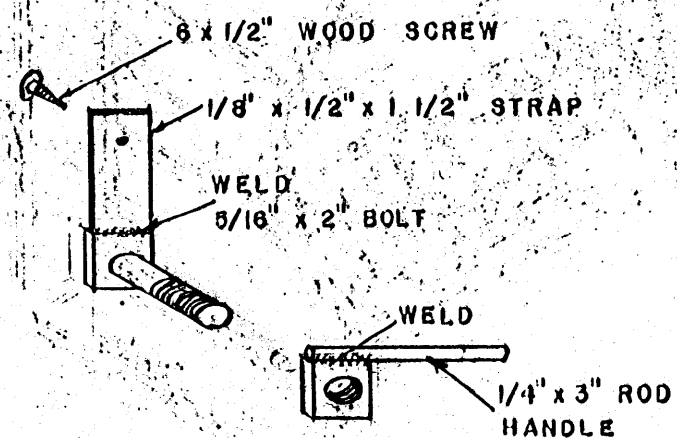
NOTE: IT IS PREFERABLE TO HAVE FILLING AUGER OVERHEAD AND USE DOWN SPOUTS WITH CUTOFFS TO FILL THE FEEDERS.

REDUCE CAPACITY FOR WET CORN. SUSPEND AUGER BELOW CAPACITY FOR WET CORN.

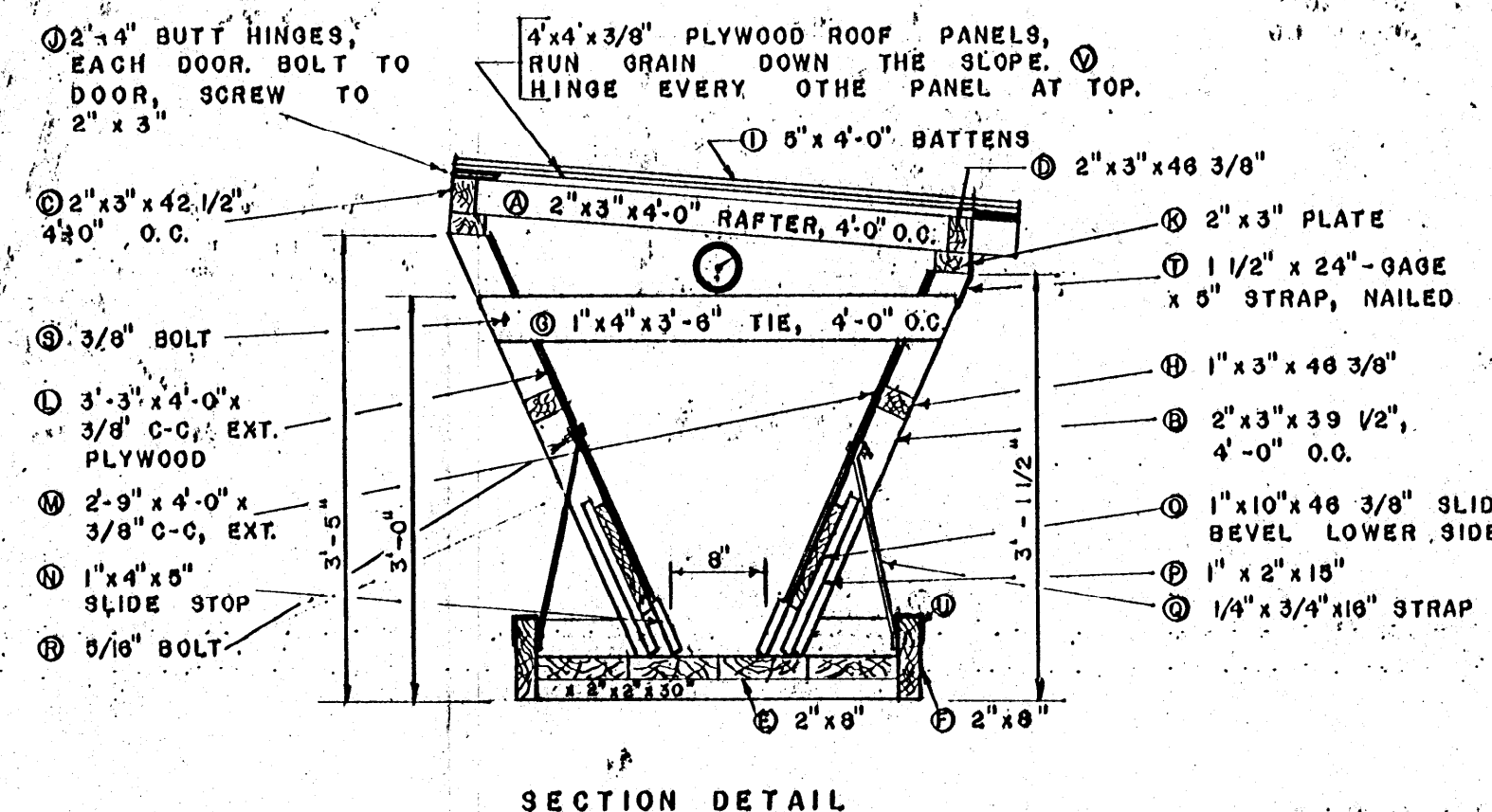


FASTEN LIGHT CHAINS 1" APART UNDER THROAT ADJUSTMENT: SO HOGS WILL AGITATE FEED. NARROW THROATS REDUCE FEED WASTE.

ADDITIONAL SECTION



LOCATE ALONG BUILDING WALL FOR CONFINED FINISHING, OR ALONG DRIVE OR FENCELINE. PROVIDE ROOF FOR OUTDOOR USE.



FINISHING FEEDERS

COOPERATIVE EXTENSION SERVICE
STATE OF MISSISSIPPI
MISSISSIPPI STATE UNIVERSITY
AND
UNITED STATES DEPARTMENT OF AGRICULTURE COOPERATING

DRAWN BY: R.F.W. CHECKED BY: L.M.
DATE: JULY '71 DWG. NO. 5756-A SHT. 1 OF 1