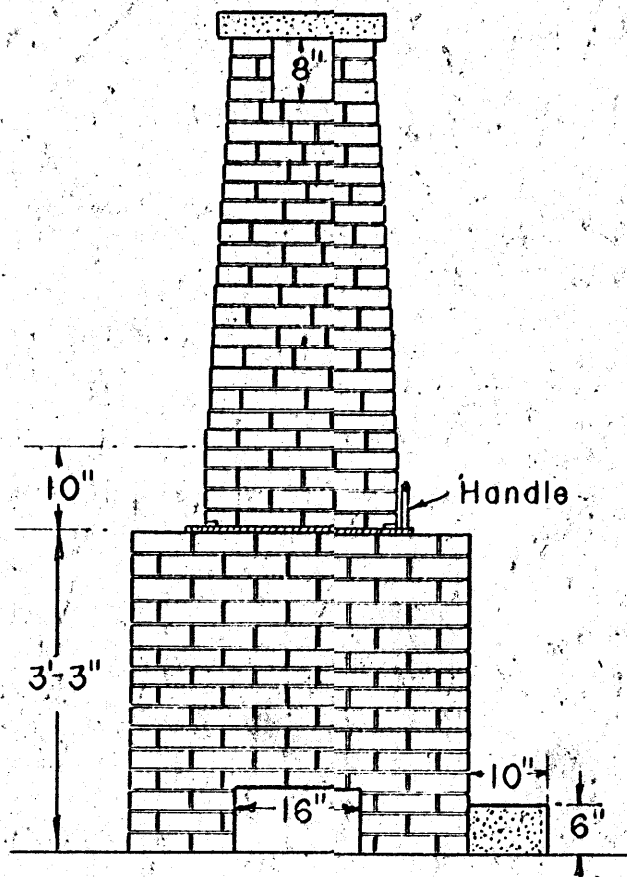
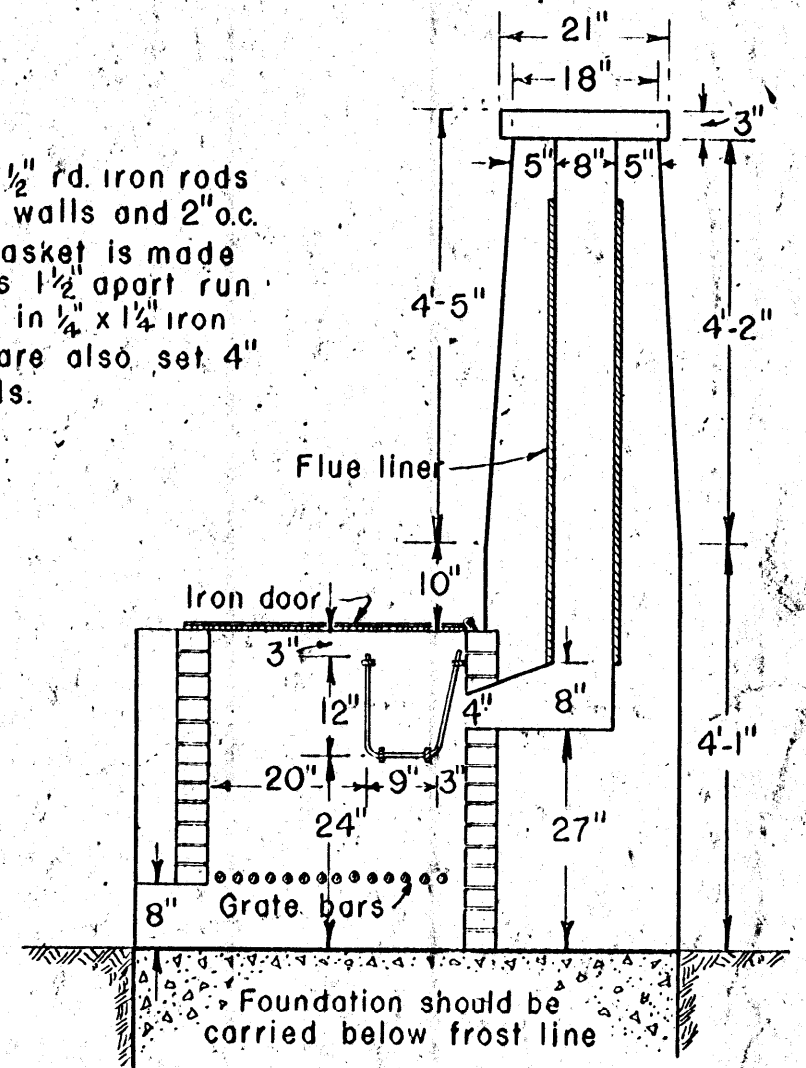


SIDE ELEVATION

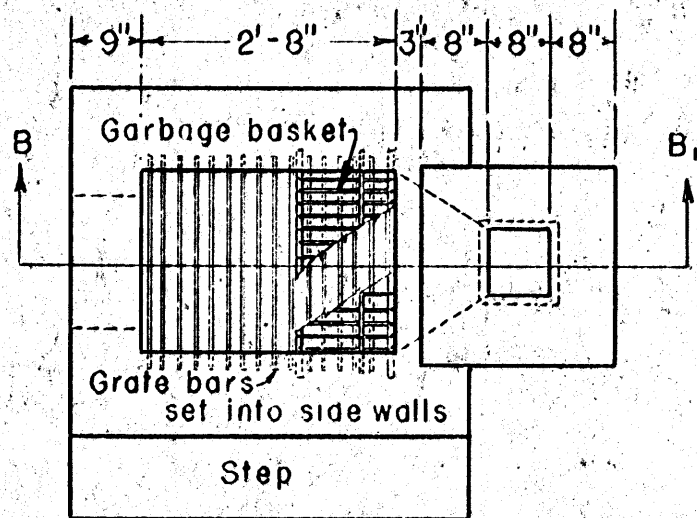


FRONT ELEVATION

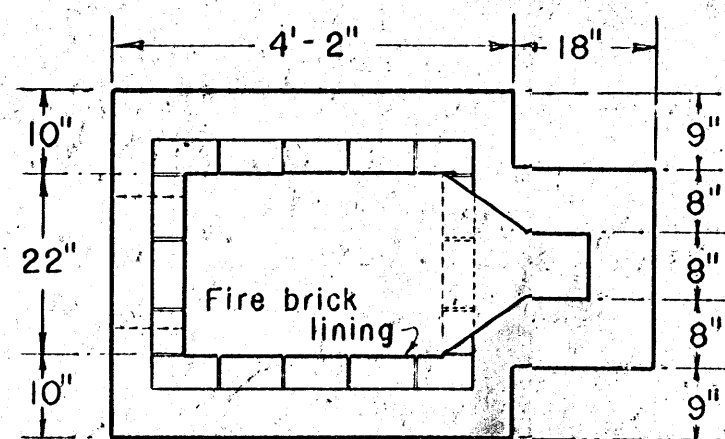
Grate bars are  $\frac{1}{2}$ " rd. iron rods set 4" into the side walls and 2" o.c.  
 The garbage basket is made of  $\frac{3}{8}$ " rd. iron rods  $1\frac{1}{2}$ " apart run thru holes drilled in  $\frac{1}{4}$ " x  $1\frac{1}{4}$ " iron bars. These bars are also set 4" into the side walls.



SECTION B-B<sub>1</sub>

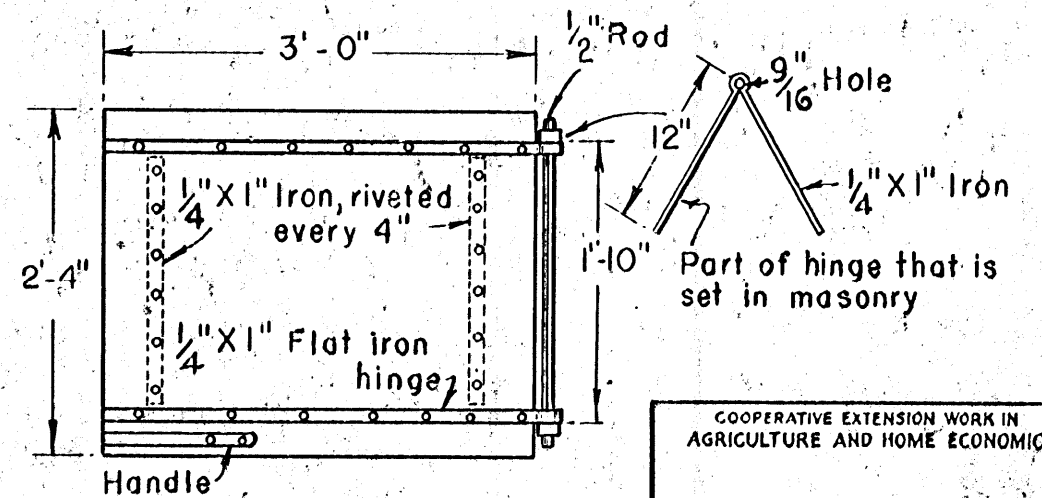


PLAN



SECTION A-A<sub>1</sub>  
 Showing chimney throat

Scale  $\frac{1}{2}$ " = 1'-0"



IRON DOOR

Scale  $\frac{3}{4}$ " = 1'-0"

COOPERATIVE EXTENSION WORK IN AGRICULTURE AND HOME ECONOMICS

AND U.S. DEPT. OF AGR. COOPERATING

INCINERATOR.

N.Y. EX. 5198. SHEET OF 1.

852