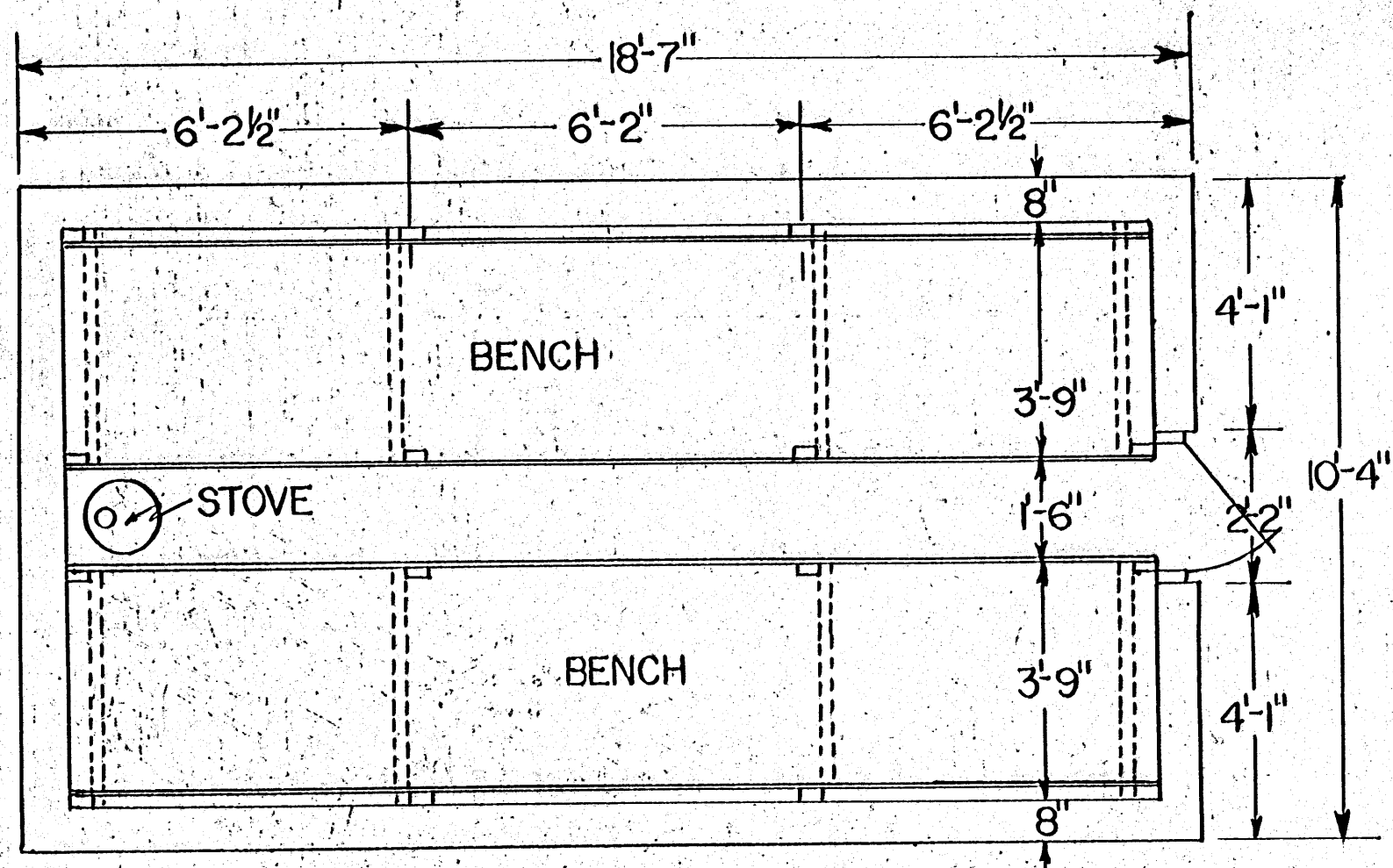
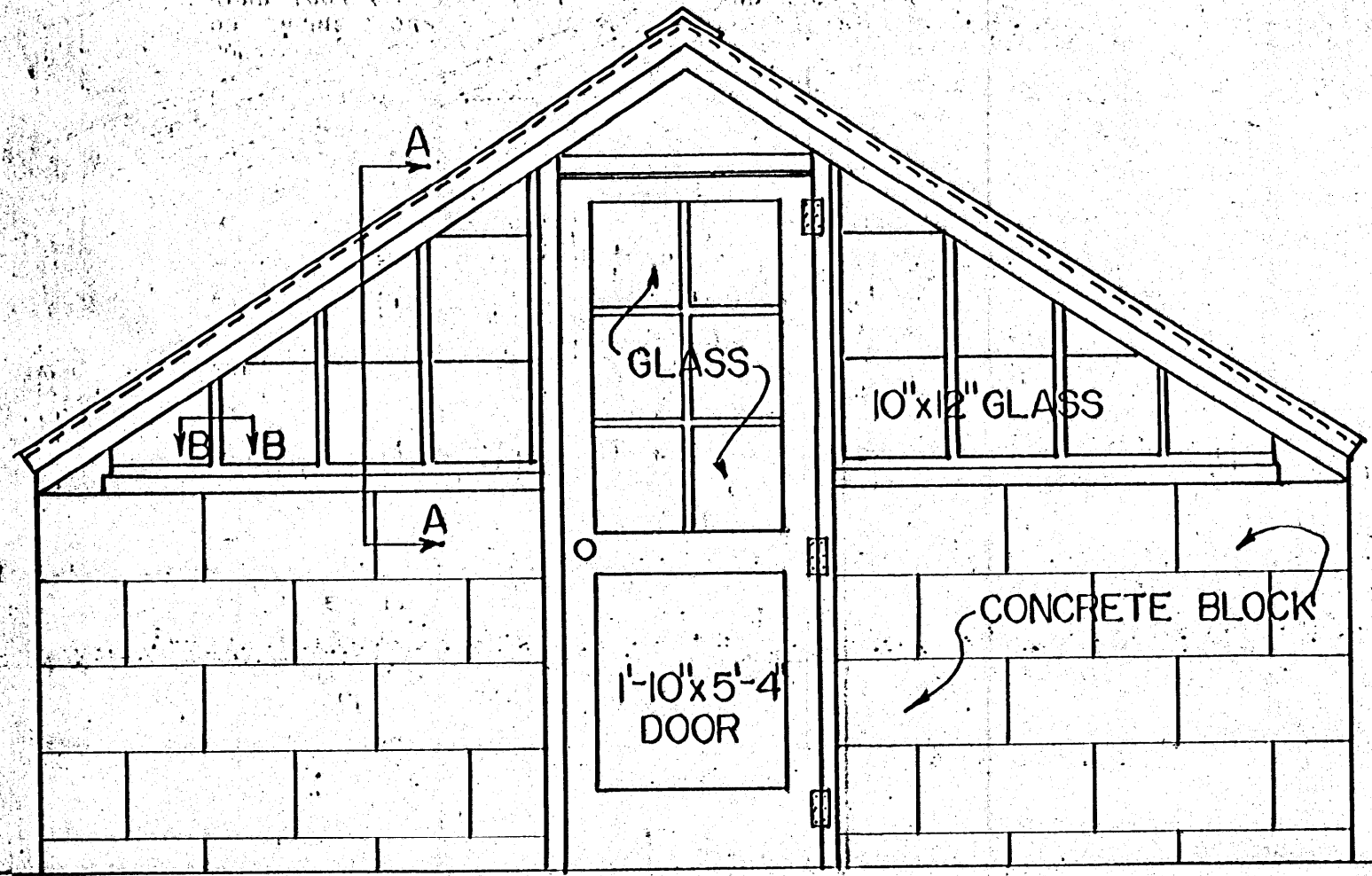


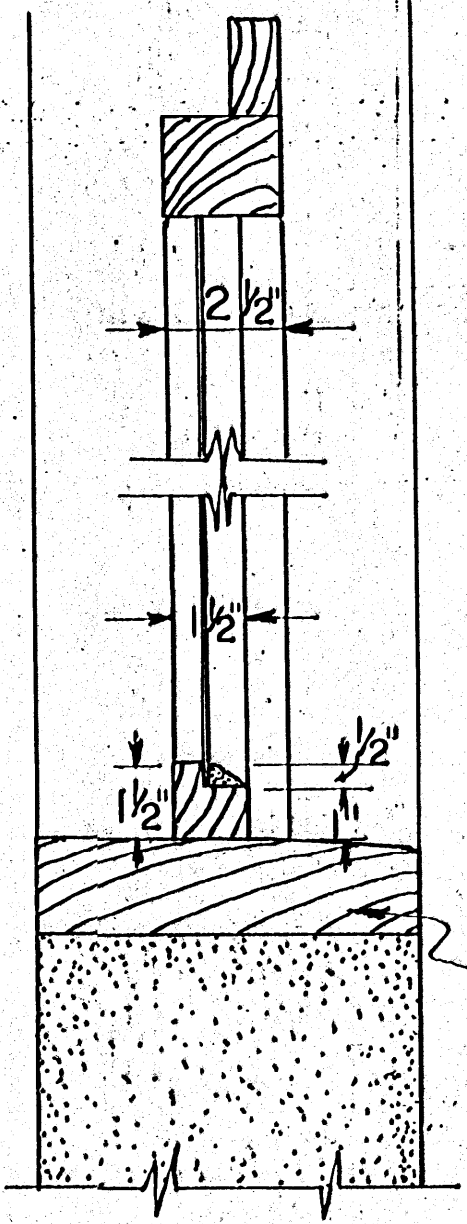
END SECTION
SCALE $\frac{3}{4}'' = 1'-0''$



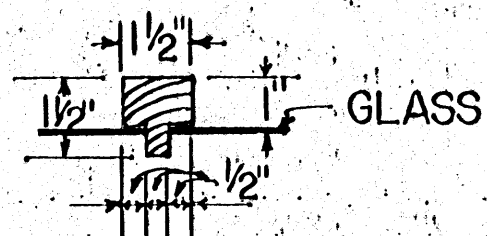
PLAN
(SHOWING ARRANGMENT OF BENCHES)
SCALE $\frac{3}{8}'' = 1'-0''$



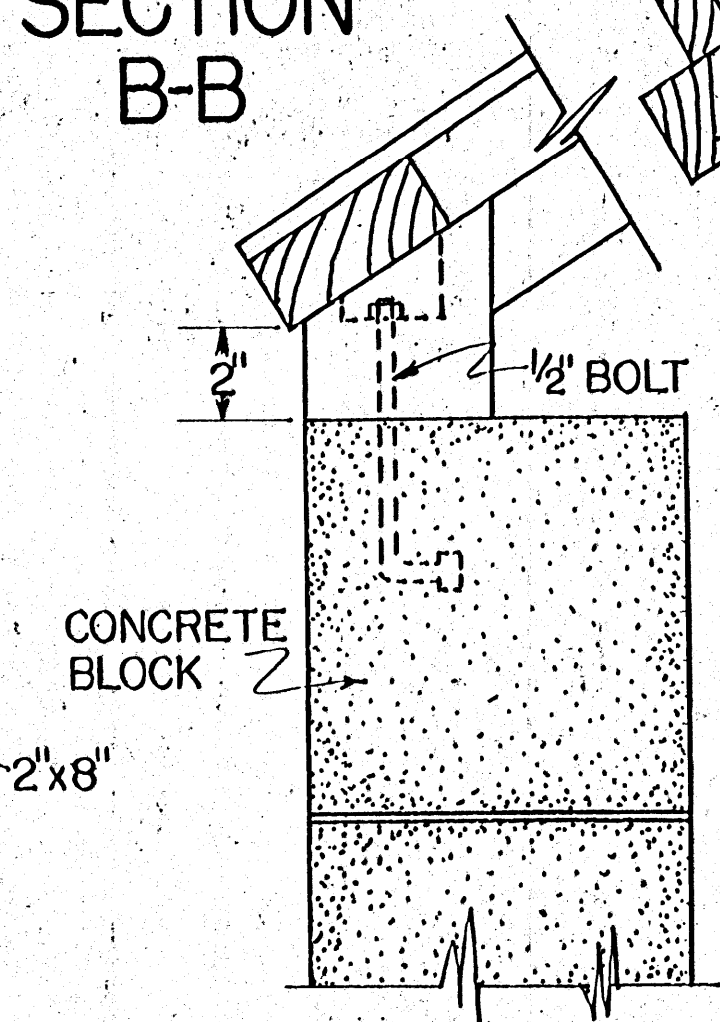
END ELEVATION
SCALE $\frac{3}{4}'' = 1'-0''$



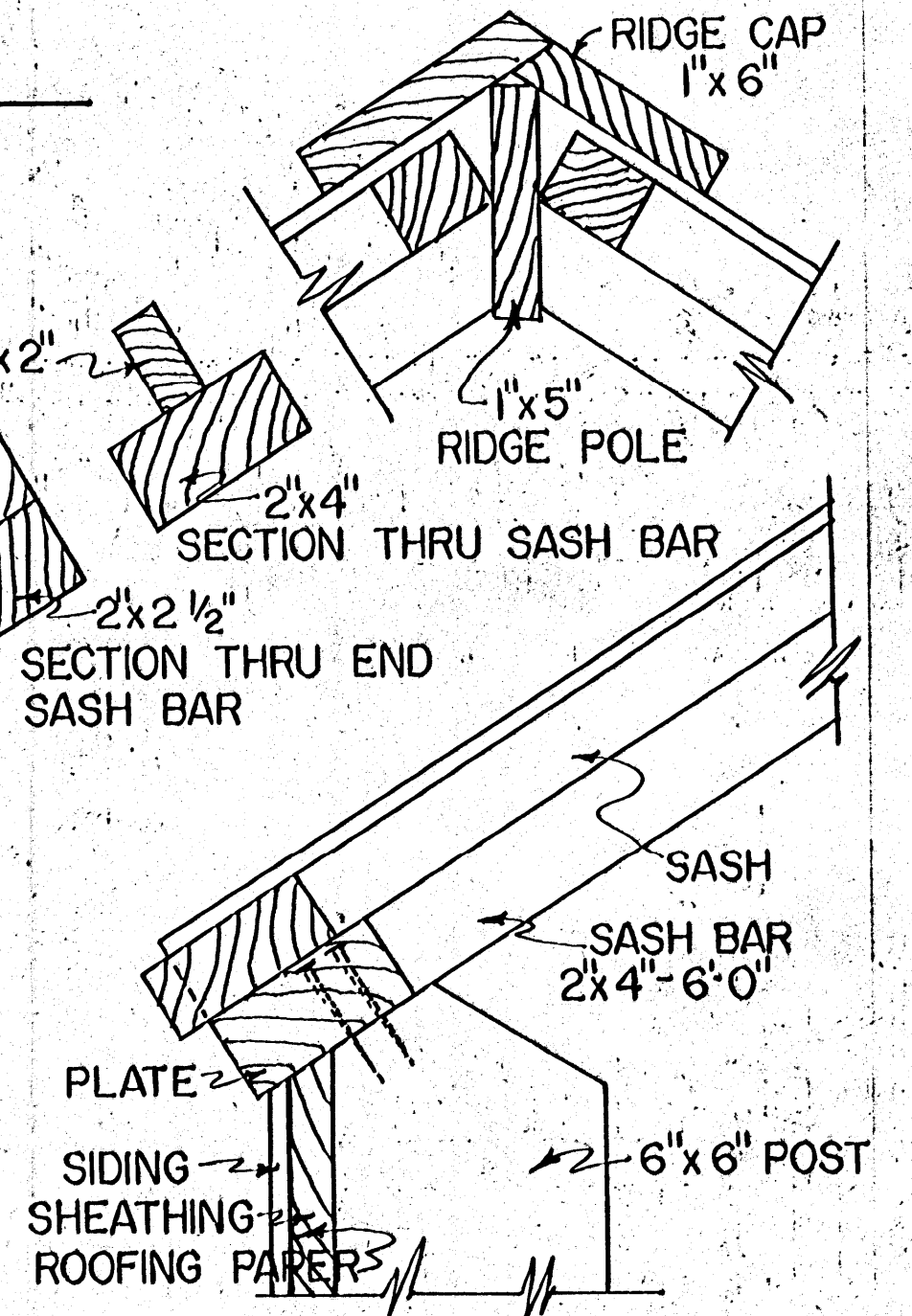
SECTION A-A



SECTION B-B



DETAILS OF EAVE & RIDGE CONSTRUCTION
SCALE $3'' = 1'-0''$



ALTERNATE FRAME CONST.

COOPERATIVE EXTENSION WORK IN
AGRICULTURE AND HOME ECONOMICS
STATE OF MISSISSIPPI
MISSISSIPPI STATE UNIVERSITY
AND
UNITED STATES DEPARTMENT OF AGRICULTURE COOPERATING

SASH-GREENHOUSE