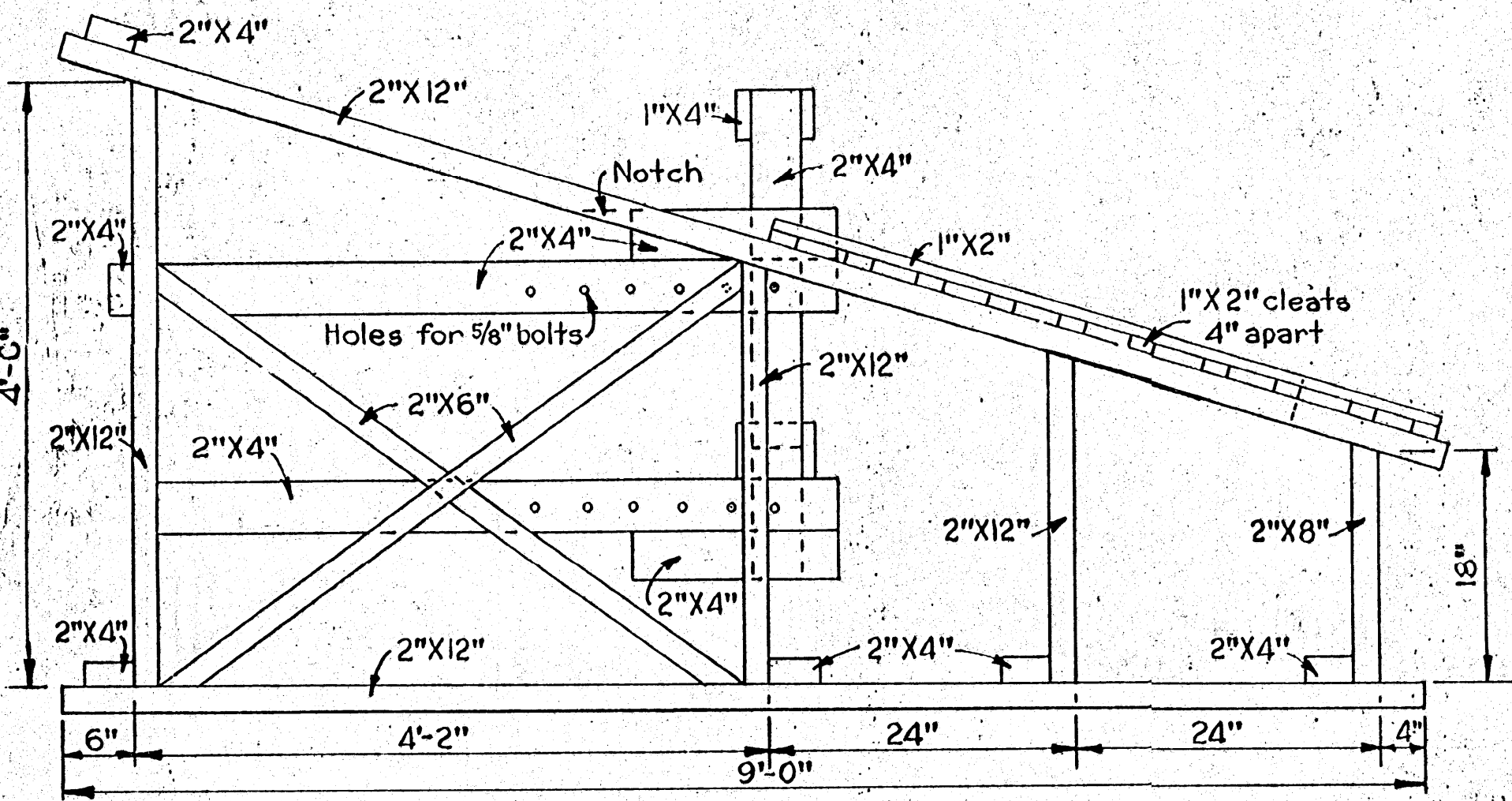


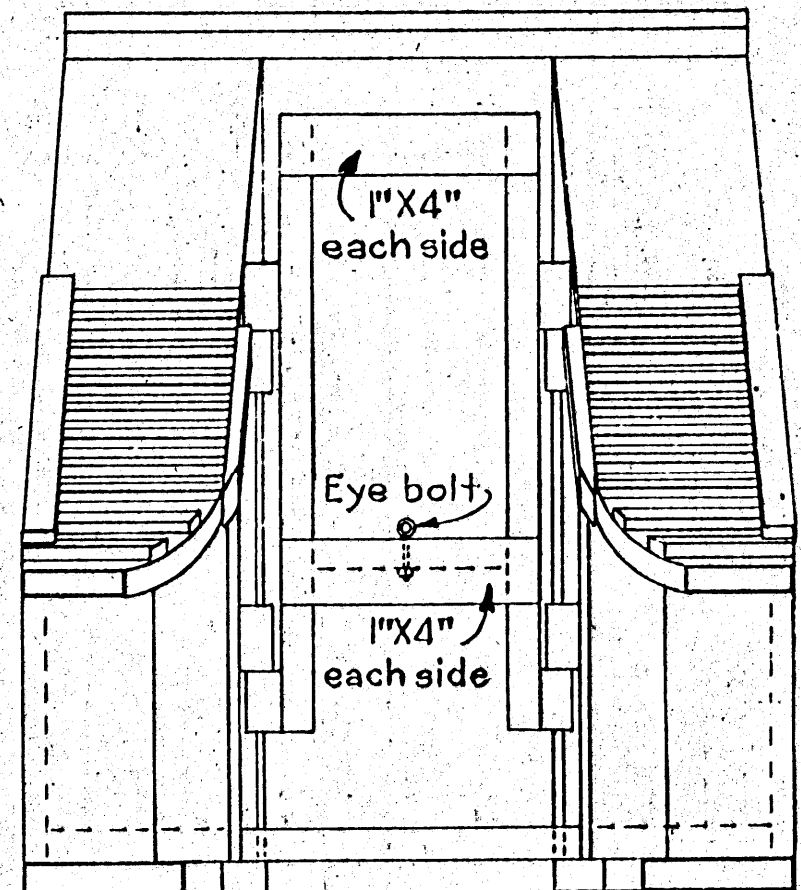
PERSPECTIVE

BILL OF MATERIALS

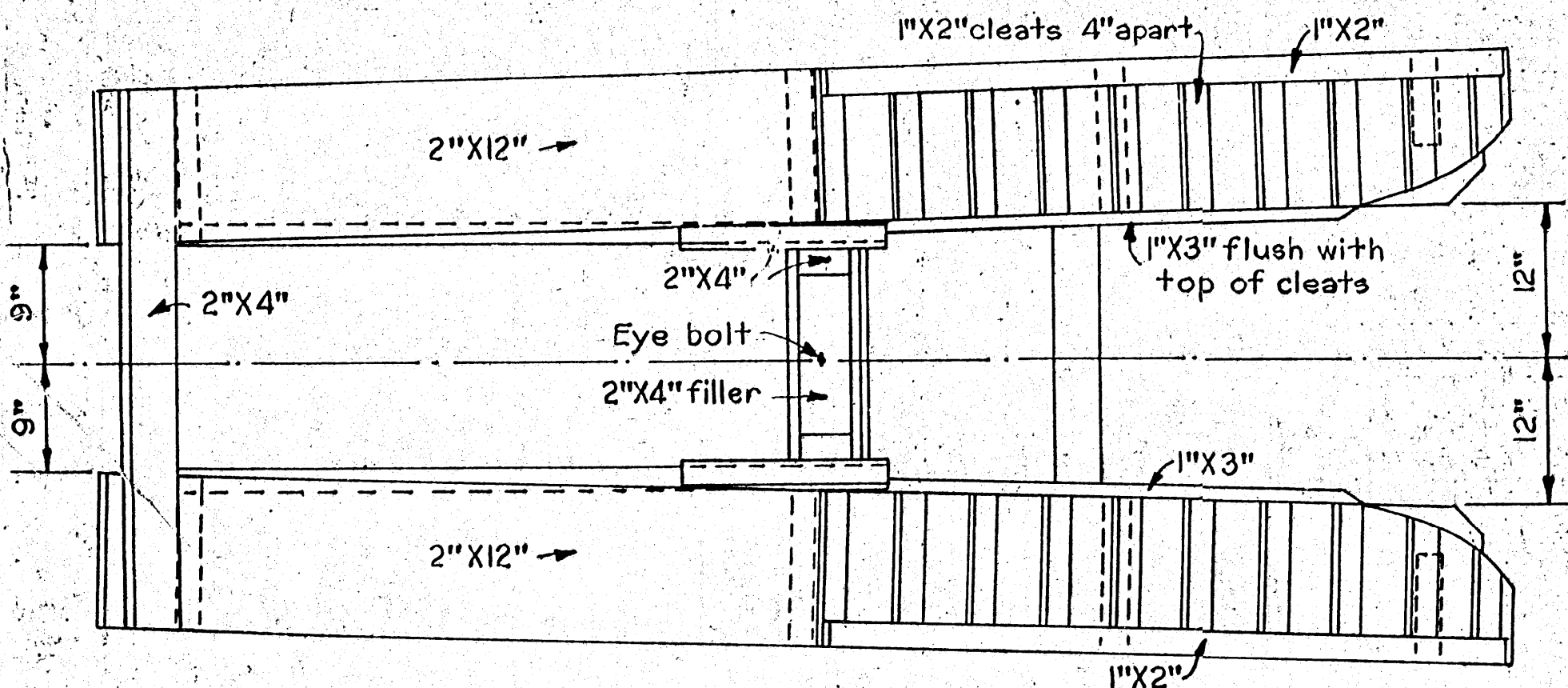
- 2 - 2"x12"x10'-0" base
- 2 - 2"x12"x10'-0" uprights
- 1 - 2"x 8"x 6'-0" "
- 1 - 2"x 4"x12'-0" bottom ties
- 2 - 2"x 6"x10'-0" diagonal braces
- 2 - 2"x 4"x12'-0" extension bars
- 2 - 2"x12"x10'-0" foot rest
- 1 - 2"x 4"x 8'-0" end ties
- 1 - 2"x 4"x10'-0" yoke
- 1 - 1"x 4"x 6'-0" "
- 1 - 1"x 3"x 8'-0" foot guards
- 30 - lin. ft. 1"x2" cleats
- 6 - lbs. 20d nails
- 2 - lbs. 10d nails
- 1 - 3/4" eye bolt 4" long 1/2" eye.



SIDE ELEVATION
Scale 1"=1'-0"



END ELEVATION
Scale 1"=1'-0"



PLAN
Scale 1"=1'-0"

COOPERATIVE EXTENSION WORK IN
 AGRICULTURE AND HOME ECONOMICS
 STATE OF MISSISSIPPI
 MISSISSIPPI STATE UNIVERSITY
 UNITED STATES DEPARTMENT OF AGRICULTURE COOPERATING

CATTLE BREEDING RACK